

Inboard Side Strut Kit for 8 ft, 10 ft, and 12 ft microwave antennas

Product Classification

Product Type Strut kit

General Specifications

Diameter, nominal 2.4 m | 8 ft | 3.0 m | 10 ft | 3.7 m | 12 ft

Includes Azimuth adjustment kit | Bracket | Hardware | Strut | Strut collar assembly

Material Type Galvanized steel

Mechanical Specifications

Aligning Function Adjustable

Mounting Pipe Length 10.50 ft

Packed Dimensions

Gross Weight 51.0 kg | 112.4 lb

Height 30.0 cm | 11.8 in

Length 330.0 cm | 129.9 in

Volume 198000.0 cc

Width 20.0 cm | 7.9 in

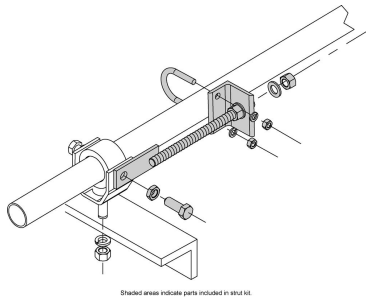
Regulatory Compliance/Certifications

Agency	Classification
ISO 9001:2015	Designed, manufactured and/or distributed under this quality management system



Included Products

520569 — Azimuth Adjustment Kit



Azimuth Adjustment Kit

Product Classification

Product Type Strut kit

General Specifications

Application Allows fine movement of antenna during alignment
Includes Hardware | Threaded rod assembly
Material Type Galvanized steel
Package Quantity 1

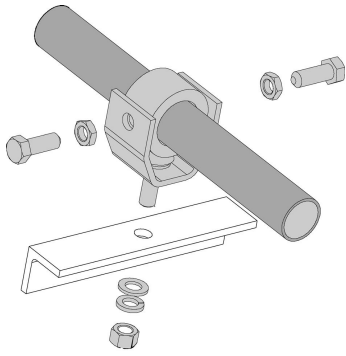
Packed Dimensions

Gross Weight 1.4 kg | 3.1 lb
Height 6.0 cm | 2.4 in
Length 40.0 cm | 15.7 in
Volume 3360.0 cc
Width 14.0 cm | 5.5 in

Regulatory Compliance/Certifications

Agency	Classification
ISO 9001:2015	Designed, manufactured and/or distributed under this quality management system





Strut Collar Assembly

Shaded areas indicate parts included in strut kit.

Product Classification

Product Type Strut kit

General Specifications

Application Provides tower interface and strut securement point
Includes Clamp assembly | Hardware
Material Type Galvanized steel
Package Quantity 1

Packed Dimensions

Gross Weight 1.5 kg | 3.3 lb
Height 6.0 cm | 2.4 in
Length 10.0 cm | 3.9 in
Volume 600.0 cc
Width 10.0 cm | 3.9 in

Regulatory Compliance/Certifications

Agency ISO 9001:2015
Classification Designed, manufactured and/or distributed under this quality management system

