

Fixed Inboard Side Strut Kit for 6 ft (pre-2009 models), 8 ft, 10 ft, and 12 ft microwave antennas

Product Classification

Product Type Strut kit

General Specifications

Diameter, nominal 1.8 m | 6 ft | 2.4 m | 8 ft | 3.0 m | 10 ft | 3.7 m | 12 ft
Includes Bracket | Hardware | Strut | Strut collar assembly
Material Type Galvanized steel

Mechanical Specifications

Aligning Function Fixed
Mounting Pipe Length 10.50 ft

Packed Dimensions

Gross Weight 17.7 kg | 39.0 lb
Height 152.4 mm | 6.0 in
Length 3378.2 mm | 133.0 in
Volume 4788.0 in³
Width 152.4 mm | 6.0 in

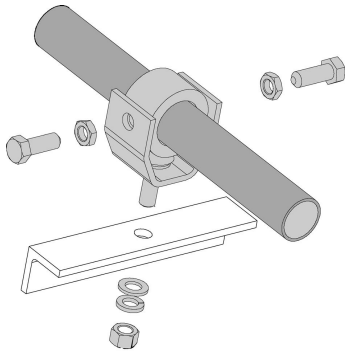
Regulatory Compliance/Certifications

Agency ISO 9001:2015
Classification Designed, manufactured and/or distributed under this quality management system



Included Products

520477 — Strut Collar Assembly



Strut Collar Assembly

Shaded areas indicate parts included in strut kit.

Product Classification

Product Type Strut kit

General Specifications

Application Provides tower interface and strut securement point
Includes Clamp assembly | Hardware
Material Type Galvanized steel
Package Quantity 1

Packed Dimensions

Gross Weight 1.5 kg | 3.3 lb
Height 6.0 cm | 2.4 in
Length 10.0 cm | 3.9 in
Volume 600.0 cc
Width 10.0 cm | 3.9 in

Regulatory Compliance/Certifications

Agency **Classification**
ISO 9001:2015 Designed, manufactured and/or distributed under this quality management system

