

Outboard Side Strut Kit for 8 ft, 10 ft, and 12 ft microwave antennas

Product Classification

Product Type Strut kit

General Specifications

Diameter, nominal 2.4 m | 8 ft | 3.0 m | 10 ft | 3.7 m | 12 ft
Includes Bracket | Hardware | Strut | Strut collar assembly
Material Type Galvanized steel

Mechanical Specifications

Aligning Function Fixed
Mounting Pipe Length 10.50 ft

Packed Dimensions

Gross Weight 40.4 kg | 89.0 lb
Height 30.5 cm | 12.0 in
Length 365.8 cm | 144.0 in
Volume 0.3 m³
Width 30.5 cm | 12.0 in

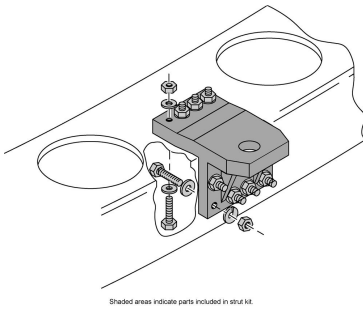
Regulatory Compliance/Certifications

Agency	Classification
ISO 9001:2015	Designed, manufactured and/or distributed under this quality management system



Included Products

- 520568 — Reflector Strut Bracket Kit
- 520477 — Strut Collar Assembly



Reflector Strut Bracket Kit

Product Classification

Product Type Strut kit

General Specifications

Application Provides attachment point for fixed strut
Includes Bracket | Hardware
Material Type Aluminum | Galvanized steel
Package Quantity 2

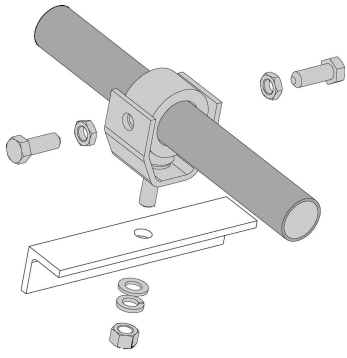
Packed Dimensions

Gross Weight 1.8 kg | 4.0 lb
Height 8.0 cm | 3.1 in
Length 30.0 cm | 11.8 in
Volume 6000.0 cc
Width 25.0 cm | 9.8 in

Regulatory Compliance/Certifications

Agency ISO 9001:2015
Classification Designed, manufactured and/or distributed under this quality management system





Strut Collar Assembly

Shaded areas indicate parts included in strut kit.

Product Classification

Product Type Strut kit

General Specifications

Application Provides tower interface and strut securement point
Includes Clamp assembly | Hardware
Material Type Galvanized steel
Package Quantity 1

Packed Dimensions

Gross Weight 1.5 kg | 3.3 lb
Height 6.0 cm | 2.4 in
Length 10.0 cm | 3.9 in
Volume 600.0 cc
Width 10.0 cm | 3.9 in

Regulatory Compliance/Certifications

Agency **Classification**
 ISO 9001:2015 Designed, manufactured and/or distributed under this quality management system

