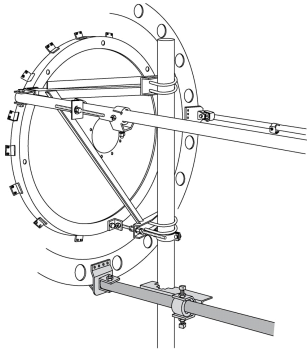


## Bottom Strut Kit for 8 ft, 10 ft, and 12 ft microwave antennas



### Product Classification

**Product Type** Strut kit

### General Specifications

**Diameter, nominal** 2.4 m | 8 ft | 3.0 m | 10 ft | 3.7 m | 12 ft  
**Includes** Bracket | Hardware | Strut | Strut collar assembly  
**Material Type** Galvanized steel

### Mechanical Specifications

**Aligning Function** Fixed  
**Mounting Pipe Length** 5.00 ft

### Packed Dimensions

**Gross Weight** 18.1 kg | 40.0 lb  
**Height** 17.8 cm | 7.0 in  
**Length** 177.8 cm | 70.0 in  
**Volume** 0.1 m<sup>3</sup>  
**Width** 43.2 cm | 17.0 in

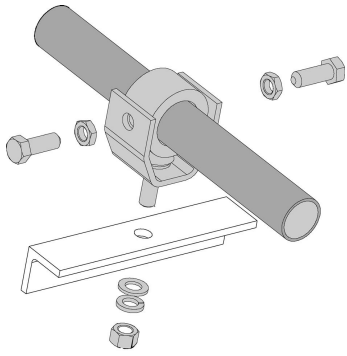
### Regulatory Compliance/Certifications

**Agency** ISO 9001:2015  
**Classification** Designed, manufactured and/or distributed under this quality management system



### Included Products

520477 — Strut Collar Assembly



Strut Collar Assembly

## Product Classification

**Product Type**                      Strut kit

## General Specifications

**Application**                      Provides tower interface and strut securement point  
**Includes**                              Clamp assembly | Hardware  
**Material Type**                      Galvanized steel  
**Package Quantity**                      1

## Packed Dimensions

**Gross Weight**                      1.5 kg | 3.3 lb  
**Height**                                  6.0 cm | 2.4 in  
**Length**                                  10.0 cm | 3.9 in  
**Volume**                                  600.0 cc  
**Width**                                    10.0 cm | 3.9 in

## Regulatory Compliance/Certifications

**Agency**                              **Classification**  
ISO 9001:2015                      Designed, manufactured and/or distributed under this quality management system

