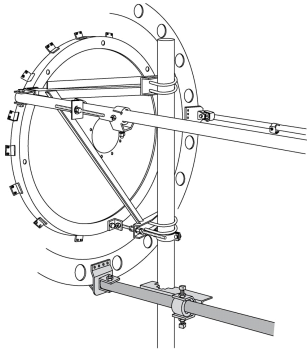


Bottom Strut Kit for 8 ft, 10 ft, and 12 ft microwave antennas



Product Classification

Product Type Strut kit

General Specifications

Diameter, nominal 2.4 m | 8 ft | 3.0 m | 10 ft | 3.7 m | 12 ft
Includes Bracket | Hardware | Strut | Strut collar assembly
Material Type Galvanized steel

Mechanical Specifications

Aligning Function Fixed
Mounting Pipe Length 5.00 ft

Packed Dimensions

Gross Weight 18.1 kg | 40.0 lb
Height 17.8 cm | 7.0 in
Length 177.8 cm | 70.0 in
Volume 0.1 m³
Width 43.2 cm | 17.0 in

Regulatory Compliance/Certifications

Agency ISO 9001:2015
Classification Designed, manufactured and/or distributed under this quality management system



Included Products

520477 — Strut Collar Assembly