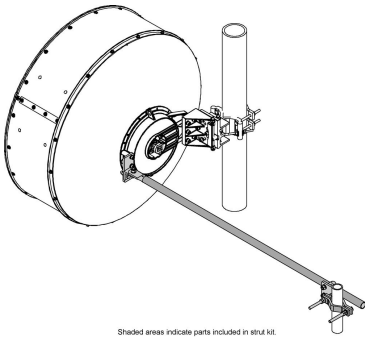


VSTRUT-3KIT



Inboard Side Strut Kit for ValuLine® VHLP(X)3 antennas

Product Classification

Product Type Strut kit

General Specifications

Diameter, nominal 1.0 m | 3 ft
Includes Bracket | Clamp assembly | Hardware | Strut
Material Type Galvanized steel

Mechanical Specifications

Aligning Function Fixed
Mounting Pipe Length 1550.00 mm

Packed Dimensions

Gross Weight 5.0 kg | 11.0 lb
Height 4.8 cm | 1.9 in
Length 170.0 cm | 66.9 in
Volume 3916.8 cc
Width 4.8 cm | 1.9 in

Regulatory Compliance/Certifications

Agency ISO 9001:2015
Classification Designed, manufactured and/or distributed under this quality management system

