

Outboard Side Strut Kit for 8 ft, 10 ft, and 12 ft microwave antennas

Product Classification

Product Type Strut kit

General Specifications

Diameter, nominal 2.4 m | 8 ft | 3.0 m | 10 ft | 3.7 m | 12 ft
Includes Hardware | Strut | Strut collar assembly
Material Type Galvanized steel

Mechanical Specifications

Aligning Function Fixed
Mounting Pipe Length 10.50 ft

Packed Dimensions

Gross Weight 40.4 kg | 89.0 lb
Height 30.5 cm | 12.0 in
Length 365.8 cm | 144.0 in
Volume 0.3 m³
Width 30.5 cm | 12.0 in

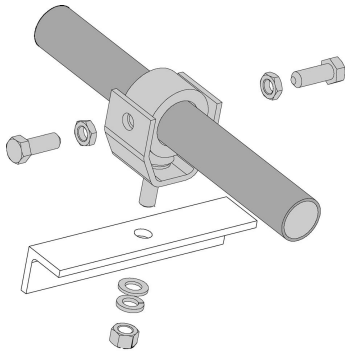
Regulatory Compliance/Certifications

Agency	Classification
ISO 9001:2015	Designed, manufactured and/or distributed under this quality management system



Included Products

520477 — Strut Collar Assembly



Strut Collar Assembly

Shaded areas indicate parts included in strut kit.

Product Classification

Product Type Strut kit

General Specifications

Application Provides tower interface and strut securement point
Includes Clamp assembly | Hardware
Material Type Galvanized steel
Package Quantity 1

Packed Dimensions

Gross Weight 1.5 kg | 3.3 lb
Height 6.0 cm | 2.4 in
Length 10.0 cm | 3.9 in
Volume 600.0 cc
Width 10.0 cm | 3.9 in

Regulatory Compliance/Certifications

Agency **Classification**
ISO 9001:2015 Designed, manufactured and/or distributed under this quality management system

