

# CELLMAX-O-43i



Cell-Max™ Omni In-building Antenna, 698–960 MHz and 1710–2700 MHz, 4.3-10

## Electrical Specifications

Frequency Band, MHz	698–800	800–960	1710–2700
Gain, dBi	2.0	2.0	5.0
Beamwidth, Horizontal, degrees	360	360	360
VSWR   Return Loss, dB	1.7   11.7	1.5   14.0	1.5   14.0
PIM, 3rd Order, 2 x 20 W, dBc	-140	-140	-140
Input Power per Port, maximum, watts	50	50	50
Polarization	Vertical	Vertical	Vertical
Impedance	50 ohm	50 ohm	50 ohm

## Electrical Specifications

**Electrical Note** PIM specifications are less than or equal to the stated value

## Product Classification

<b>Brand</b>	Cell-Max™
<b>Product Type</b>	In-building antenna

## General Specifications

<b>Antenna Type</b>	Omni
<b>Application</b>	Indoor
<b>Operating Frequency Band</b>	1710 – 2700 MHz   698 – 960 MHz
<b>Mount Type</b>	Thru-hole ceiling mount (optional)
<b>Package Quantity</b>	1
<b>Pigtail Cable</b>	670-141SXE, plenum rated

## Mechanical Specifications

<b>Color</b>	White
<b>Pigtail Length</b>	500.0 mm   19.7 in
<b>Radome Material</b>	ABS
<b>RF Connector Interface</b>	4.3-10 Female

# CELLMAX-O-43i

---

## Environmental Specifications

<b>Operating Temperature</b>	-40 °C to +60 °C (-40 °F to +140 °F)
<b>Relative Humidity</b>	Up to 100%

## Dimensions

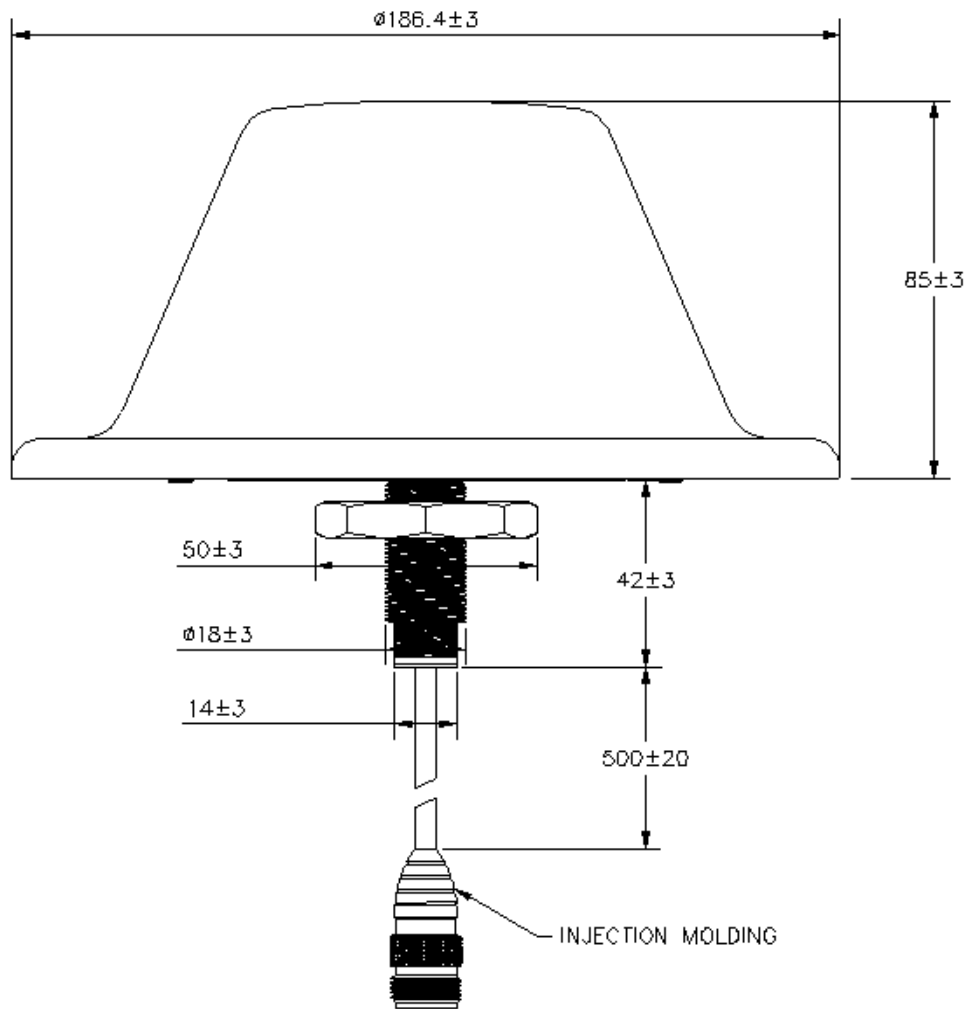
<b>Height</b>	85.00 mm   3.35 in
<b>Outer Diameter</b>	186.0 mm   7.3 in
<b>Net Weight</b>	0.3 kg   0.7 lb

## Packed Dimensions

<b>Height</b>	135.00 mm   5.31 in
<b>Length</b>	195.0 mm   7.7 in
<b>Width</b>	195.0 mm   7.7 in
<b>Shipping Weight</b>	0.4 kg   1.0 lb

# CELLMAX-O-43i

## Outline Drawing



## Regulatory Compliance/Certifications

### Agency

RoHS 2011/65/EU  
ISO 9001:2015

### Classification

Designed, manufactured and/or distributed under this quality management system

