

# CELLMAX-O-CPUSE



Cell-Max™ Omni In-building Antenna, 698–960 MHz and 1710–2700 MHz

- This product is part of the CommScope Wired for Wireless® Solution

## Electrical Specifications

| Frequency Band, MHz                  | 698–800    | 800–960    | 1710–2700  |
|--------------------------------------|------------|------------|------------|
| Gain, dBi                            | 2.0        | 2.0        | 5.0        |
| Beamwidth, Horizontal, degrees       | 360        | 360        | 360        |
| VSWR   Return Loss, dB               | 1.8   10.9 | 1.5   14.0 | 1.5   14.0 |
| Input Power per Port, maximum, watts | 50         | 50         | 50         |
| Polarization                         | Vertical   | Vertical   | Vertical   |
| Impedance                            | 50 ohm     | 50 ohm     | 50 ohm     |

## Product Classification

|                     |                     |
|---------------------|---------------------|
| <b>Brand</b>        | Cell-Max™           |
| <b>Product Type</b> | In-building antenna |

## General Specifications

|                                 |                                    |
|---------------------------------|------------------------------------|
| <b>Antenna Type</b>             | Omni                               |
| <b>Application</b>              | Indoor                             |
| <b>Operating Frequency Band</b> | 1710 – 2700 MHz   698 – 960 MHz    |
| <b>Mount Type</b>               | Thru-hole ceiling mount (optional) |
| <b>Package Quantity</b>         | 1                                  |
| <b>Pigtail Cable</b>            | KSR195, plenum rated               |

## Mechanical Specifications

|                               |                    |
|-------------------------------|--------------------|
| <b>Color</b>                  | White              |
| <b>Pigtail Length</b>         | 315.0 mm   12.4 in |
| <b>Radome Material</b>        | ABS                |
| <b>RF Connector Interface</b> | N Female           |

## Environmental Specifications

|                              |                                      |
|------------------------------|--------------------------------------|
| <b>Operating Temperature</b> | -40 °C to +60 °C (-40 °F to +140 °F) |
| <b>Relative Humidity</b>     | Up to 100%                           |

## Dimensions

# CELLMAX-O-CPUSE

---

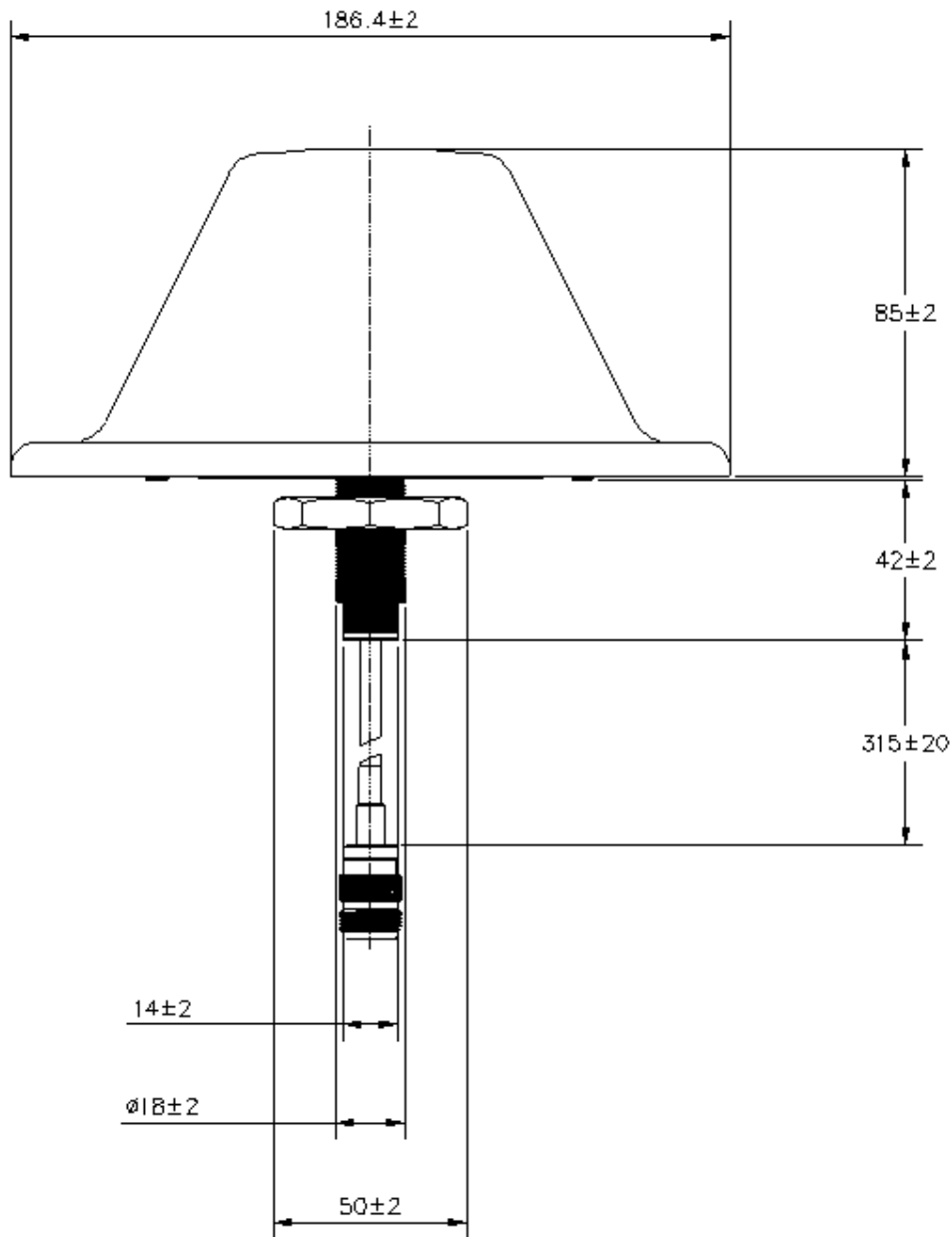
|                       |                    |
|-----------------------|--------------------|
| <b>Height</b>         | 85.00 mm   3.35 in |
| <b>Outer Diameter</b> | 186.0 mm   7.3 in  |
| <b>Net Weight</b>     | 0.3 kg   0.7 lb    |

## Packed Dimensions

|                        |                     |
|------------------------|---------------------|
| <b>Height</b>          | 135.00 mm   5.31 in |
| <b>Length</b>          | 195.0 mm   7.7 in   |
| <b>Width</b>           | 195.0 mm   7.7 in   |
| <b>Shipping Weight</b> | 0.4 kg   0.9 lb     |

# CELLMAX-O-CPUSE

## Outline Drawing



## Regulatory Compliance/Certifications

### Agency

RoHS 2011/65/EU  
ISO 9001:2015

### Classification

Designed, manufactured and/or distributed under this quality management system

