

CELLMAX-D-43i



Cell-Max™ Directional In-building Antenna, 698–960 MHz, 1710–2700 MHz, 4.3-10

Electrical Specifications

Frequency Band, MHz	698–800	800–960	1710–2170	2200–2700
Gain, dBi	5.1	5.8	8.7	6.9
Beamwidth, Horizontal, degrees	128	94	60	54
Beamwidth, Vertical, degrees	85.0	82.0	57.0	38.0
VSWR Return Loss, dB	1.7 11.7	1.5 14.0	1.5 14.0	1.5 14.0
PIM, 3rd Order, 2 x 20 W, dBc	-140	-140	-140	-140
Input Power per Port, maximum, watts	50	50	50	50
Polarization	Vertical	Vertical	Vertical	Vertical
Impedance	50 ohm	50 ohm	50 ohm	50 ohm

Electrical Specifications

Electrical Note PIM specifications are less than or equal to the stated value

Product Classification

Brand	Cell-Max™
Product Type	In-building antenna

General Specifications

Antenna Type	Directional
Application	Indoor
Operating Frequency Band	1710 – 2700 MHz 698 – 960 MHz
Mount Type	4-hole wall mounting plate and hardware (included)
Package Quantity	1
Pigtail Cable	670-141SXE, plenum rated

Mechanical Specifications

Color	White
Pigtail Length	500.0 mm 19.7 in
Radome Material	ABS

CELLMAX-D-43i

RF Connector Interface 4.3-10 Female

Environmental Specifications

Operating Temperature -40 °C to +60 °C (-40 °F to +140 °F)

Relative Humidity Up to 100%

Dimensions

Depth 44.0 mm | 1.7 in

Length 210.0 mm | 8.3 in

Width 180.0 mm | 7.1 in

Net Weight 0.6 kg | 1.4 lb

Packed Dimensions

Depth 55.0 mm | 2.2 in

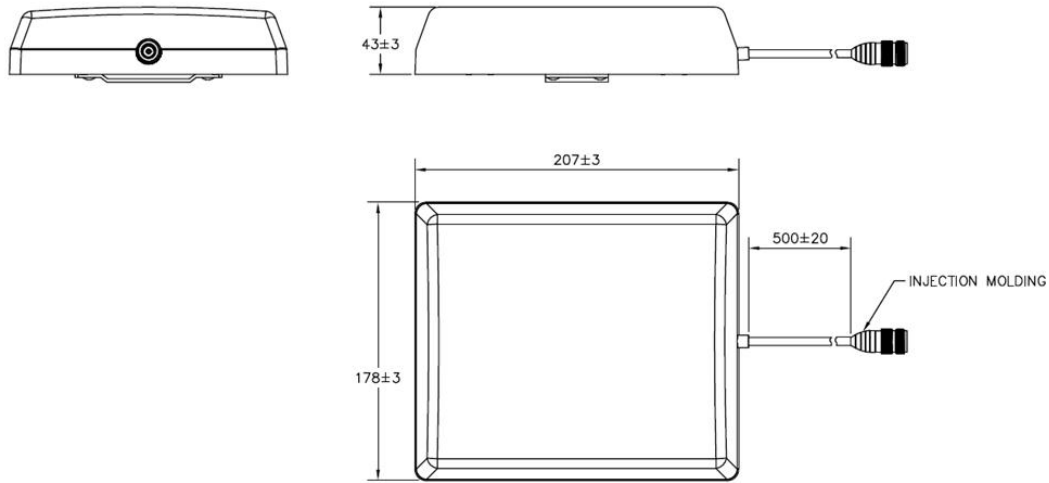
Length 250.0 mm | 9.8 in

Width 190.0 mm | 7.5 in

Shipping Weight 0.8 kg | 1.7 lb

CELLMAX-D-43i

Outline Drawing



Regulatory Compliance/Certifications

Agency

RoHS 2011/65/EU

ISO 9001:2015

Classification

Designed, manufactured and/or distributed under this quality management system

