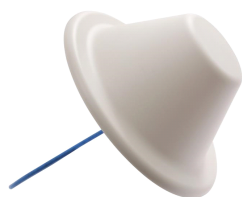


CELLMAX-O-CPUSEi



Cell-Max™ Omni In-building Antenna, 698–960 MHz and 1710–2700 MHz

Electrical Specifications

Frequency Band, MHz	698–800	800–960	1710–2700
Gain, dBi	2.0	2.0	5.0
Beamwidth, Horizontal, degrees	360	360	360
VSWR Return Loss, dB	1.8 10.9	1.5 14.0	1.5 14.0
PIM, 3rd Order, 2 x 20 W, dBc	-140	-140	-140
Input Power per Port, maximum, watts	50	50	50
Polarization	Vertical	Vertical	Vertical
Impedance	50 ohm	50 ohm	50 ohm

Electrical Specifications

Electrical Note PIM specifications are less than or equal to the stated value

Product Classification

Brand	Cell-Max™
Product Type	In-building antenna

General Specifications

Antenna Type	Omni
Application	Indoor
Operating Frequency Band	1710 – 2700 MHz 698 – 960 MHz
Mount Type	Thru-hole ceiling mount (optional)
Package Quantity	1
Pigtail Cable	670-141SXE, plenum rated

Mechanical Specifications

Color	White
Pigtail Length	500.0 mm 19.7 in
Radome Material	ABS
RF Connector Interface	N Female

Environmental Specifications

CELLMAX-O-CPUSEi

Operating Temperature -40 °C to +60 °C (-40 °F to +140 °F)

Relative Humidity Up to 100%

Dimensions

Height 85.00 mm | 3.35 in

Outer Diameter 186.0 mm | 7.3 in

Net Weight 0.3 kg | 0.7 lb

Packed Dimensions

Height 135.00 mm | 5.31 in

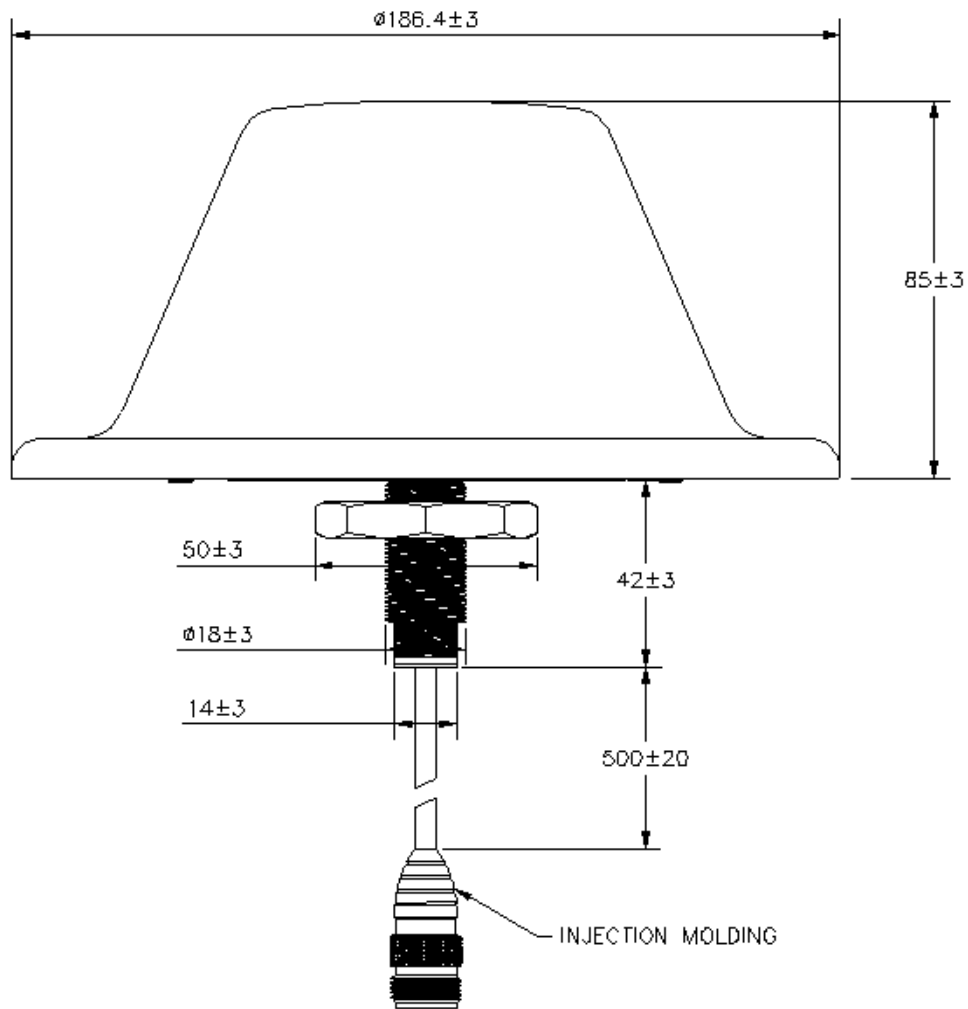
Length 195.0 mm | 7.7 in

Width 195.0 mm | 7.7 in

Shipping Weight 0.4 kg | 1.0 lb

CELLMAX-O-CPUSEi

Outline Drawing



Regulatory Compliance/Certifications

Agency

RoHS 2011/65/EU
ISO 9001:2015

Classification

Designed, manufactured and/or distributed under this quality management system

