

OTE2 Series, Optical Terminal Enclosure, 8-port full-size connector, no splitter, gray, wall mount

- Optical Terminal Enclosures incorporate hardened connector technology that is designed to withstand the rugged outside plant environment
- Offers a unique solution for splicing, termination and pass-through cable applications in optical drop cable deployments
- Hardened adapters are factory-terminated and environmentally sealed to ensure rapid plug-and play drop cable installations
- The universal cable termination system guarantees easy, fast and reliable cable fixation and manipulations

Product Classification

Product Type	Access terminal, without splitter/tap
Product Series	OTE
Regional Availability	Asia Australia/New Zealand EMEA Latin America

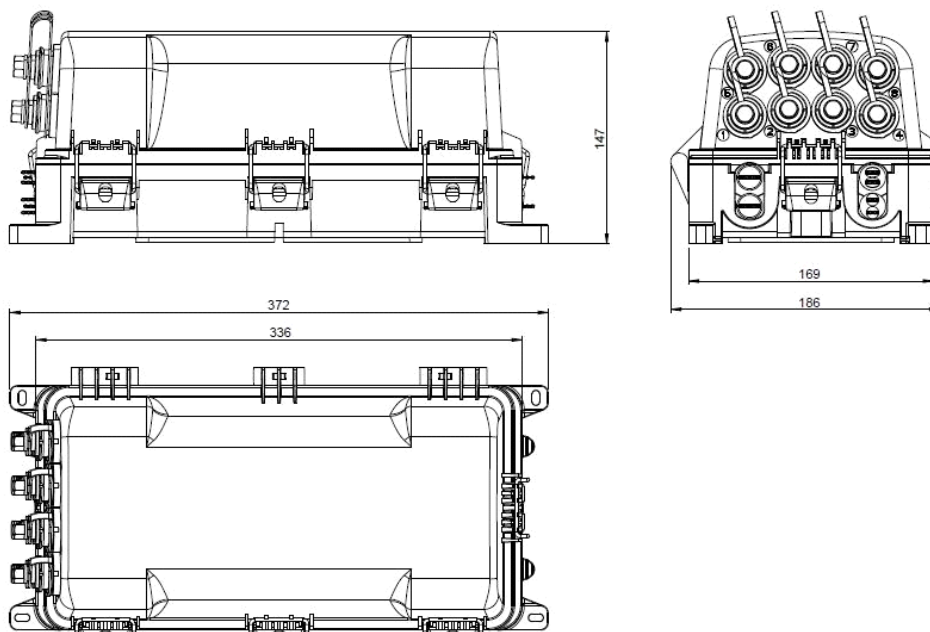
General Specifications

Distribution Type	8 ports
Port, quantity	8
Port Type	Hardened full-size SC/APC
Stub Type	No tail
Application	Accepts fiber drop cables, 7 mm diameter Accepts fiber feeder cables, 10-16 mm diameter For holding up to 5 24-way splice trays Offers up to 16 hardened adapter ports Offers up to 4x4 standard cable ports
Cable, quantity	0
Enclosure Color	Gray
Includes	Cable fixation kit (5) Cable seal kit (4) Enclosure (1) Splice cassette (4) Wall fixation screws (4)
Package, quantity	1
Packaging Type	Box Carton
Splice Tray Included, quantity	4
Splice Tray Type Included	24-way, heat shrink
Splitter, quantity	0

Dimensions

Depth	186.00 mm 7.32 in
Height	147.00 mm 5.79 in
Width	372.00 mm 14.65 in

Dimension Drawing



Mechanical Specifications

Enclosure Material Type	Glass filled polypropylene (GF-PP)
Mount Type	Pole Wall

Optical Specifications

Wavelength Range	1260–1635 nm
-------------------------	--------------

Environmental Specifications

Environmental Space	Above ground Below ground Buried
Operating Temperature	-40 °C to +65 °C (-40 °F to +149 °F)
Qualification Standard	IEC 60529, IP65
Relative Humidity	5%–100%, non-condensing
UV Resistance	UV stabilized

Regulatory Compliance/Certifications

Agency	Classification
RoHS 2011/65/EU	Compliant
ISO 9001:2015	Designed, manufactured and/or distributed under this quality management system

