



BUDI Fiber Optic Wall mount Enclosure, empty for holding PON Application kits, without lock

- Compact, wall mountable fiber enclosures for indoor and outdoor use
- Specifically designed for fast FTTH deployment and easy customer connection
- Available with splicing (FIST) and/or patching and/or splitter combinations
- Multiple and modular cable port sealing options using gel technology

Product Classification

| | |
|------------------------------|----------------|
| Brand | FIST™ |
| Product Type | Fiber wall box |
| Product Series | BUDI |
| Regional Availability | EMEA |

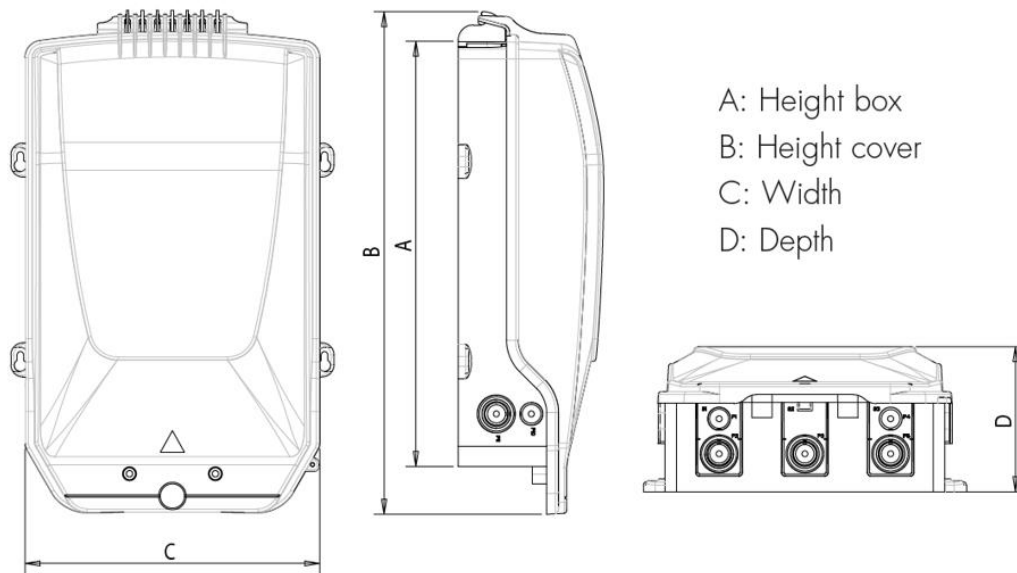
General Specifications

| | |
|--------------------------|---------------------|
| Enclosure Color | Gray |
| Functionality | Patching Splicing |
| Package, quantity | 1 |
| Packaging Type | Box Carton |

Dimensions

| | |
|---------------------------|----------------------|
| Depth | 175.00 mm 6.89 in |
| Height | 480.00 mm 18.90 in |
| Height, with cover | 550.00 mm 21.65 in |
| Width | 360.00 mm 14.17 in |

Dimension Drawing



Dimension Drawing Used as an image placeholder

Mechanical Specifications

| | |
|--------------------------------|--------------------|
| Access | Front |
| Enclosure Material Type | LSZH thermoplastic |
| Front Cover Type | Snap-on cover |
| Mount Type | Wall |

Environmental Specifications

| | |
|-------------------------------|-------------------------------------------|
| Environmental Space | Outdoor |
| Qualification Standard | IEC 60529, IP54 IEC 61753-1, category G |

Regulatory Compliance/Certifications

Agency
RoHS 2011/65/EU

Classification
Compliant

