



FOSC™450 D6 Fiber Optic Splice Closure, Gel Cable sealing, no pre-installed tray, 6 cable attach., tall, three ground feedthrough lugs, with test valve

- Single-ended, O-ring sealed dome closure for splicing feeder and distribution cables
- Gel cable sealing technology allows easy adding or removing of a wide size range of cables
- Compatible with most common cable types: e.g. loose tube, central core, ribbon fiber
- FOSC splice trays hinged for access to any splice without disturbing other trays
- Closure can be used in aerial, pedestal and underground (up to 5 meters) environments
- Compatible with CommScope's CWDM modules and optical splitter trays

## Product Classification

<b>Product Type</b>	Single-ended, round fiber closure
<b>Regional Availability</b>	Latin America   North America
<b>Product Series</b>	FOSC 450
<b>Product Brand</b>	FOSC™

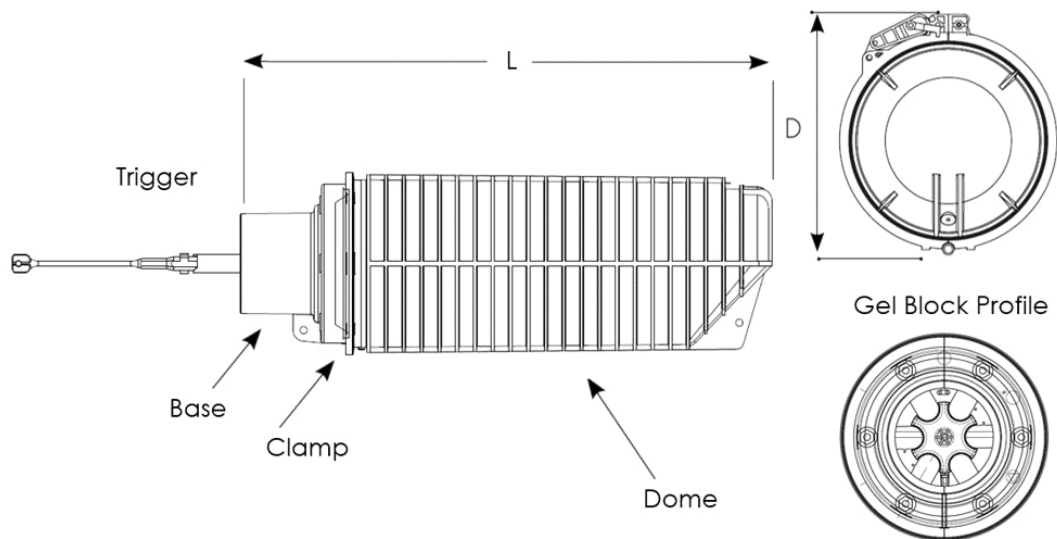
## General Specifications

<b>Splicing Type, Supported</b>	Mass fusion   Single fusion
<b>Splicing Capacity, Mass Fusion, maximum</b>	1152
<b>Splicing Capacity, Single Fusion, maximum</b>	576
<b>Color</b>	Black
<b>Network Area Type</b>	Feeder
<b>Package, quantity</b>	1
<b>Packaging Type</b>	Box   Carton
<b>Splice Tray Included, quantity</b>	0
<b>Splicing Capacity, Single Splice, 12 fibers, maximum</b>	576
<b>Splicing Capacity, Single Splice, 6 fibers, maximum</b>	288

## Dimensions

<b>Main Cable Diameter, maximum</b>	25.00 mm
<b>Diameter</b>	254.00 mm   10.00 in
<b>Diameter, with clamp</b>	292 mm   11 in
<b>Length</b>	753.00 mm   29.65 in
<b>Weight</b>	9.07 kg   20.00 lb

## Dimension Drawing



## Mechanical Specifications

<b>Cable Sealing Type</b>	Compressed gel
<b>Cable Entry Drop Port Style</b>	Round
<b>Cable Entry Main Port Style</b>	Round
<b>Cable Ports, quantity</b>	6
<b>Closure Sealing Type</b>	Dome-to-base clamp with O-ring
<b>Closure Style</b>	Single-ended
<b>Fiber Storage Basket Type</b>	Tall size
<b>Ground Feed-through Lugs, quantity</b>	3
<b>Material Type</b>	Impact-resistant polymer
<b>Mount Type</b>	Pole   Strand   Wall

## Environmental Specifications

<b>Environmental Space</b>	Below ground   Buried
<b>Qualification Standard</b>	IEC 61300, 5 m waterhead
<b>Water Resistance</b>	Flash test valve at 5 psi (40 kPa)

## Regulatory Compliance/Certifications

<b>Agency</b>	<b>Classification</b>
RoHS 2011/65/EU	Compliant
ISO 9001:2015	Designed, manufactured and/or distributed under this quality management system

