



DLX® Mini-MST, Fiber Optic Multiport Service Terminal, 4-port, round cable, 150 m

- Hardened connectors are factory-terminated and environmentally sealed for use in optical drop cable deployments
- Plug-and-play adapter ports ensure rapid cable installment in the outside plant access section of the network
- Multiport Service Terminals incorporate hardened connector technology that is designed to withstand the rugged outside plant environment

Product Classification

| | |
|------------------------------|---------------------------------------|
| Product Type | Access terminal, without splitter/tap |
| Product Series | Mini-MST |
| Product Brand | DLX® |
| Regional Availability | EMEA |

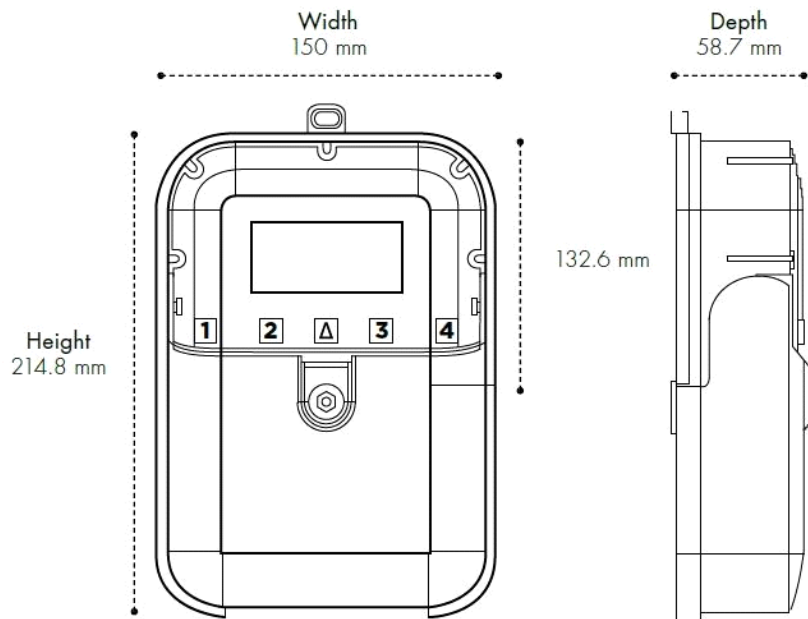
General Specifications

| | |
|---------------------------|------------------------------|
| Distribution Type | 4 ports |
| Port, quantity | 4 |
| Cable Type | Armored - Round - Loose Tube |
| Port Type | Hardened mini-size DLX |
| Stub Type | Stub tail |
| Cable, quantity | 1 |
| Enclosure Color | Gray |
| Package, quantity | 1 |
| Packaging Type | Box Carton |
| Splitter, quantity | 0 |

Dimensions

| | |
|-------------------------------|----------------------|
| Cable Length | 150.00 m 492.13 ft |
| Depth | 58.70 mm 2.31 in |
| Height | 214.80 mm 8.46 in |
| Outer Cable Dimensions | 5.0 mm (0.20 in) |
| Weight, without cable | 0.99 kg 2.18 lb |
| Width | 150.00 mm 5.91 in |

Dimension Drawing



Mechanical Specifications

| | |
|--------------------------------|---------------------------|
| Enclosure Material Type | Gasketed hardened plastic |
| Mount Type | Handhole Wall |

Optical Specifications

| | |
|--|--------------|
| Fiber Type | G.657.A1 |
| Insertion Loss, Terminal Connector, maximum | 0.40 dB |
| Insertion Loss, Terminal Connector, typical | 0.16 dB |
| Return Loss, Connector, minimum | 65 dB |
| Wavelength Range | 1260–1635 nm |

Environmental Specifications

| | |
|-------------------------------|--------------------------------------|
| Environmental Space | Above ground Below ground |
| Operating Temperature | -40 °C to +70 °C (-40 °F to +158 °F) |
| Qualification Standard | IEC 60529, IP65 |
| Relative Humidity | 5%–95%, non-condensing |
| UV Resistance | UV stabilized |

Regulatory Compliance/Certifications

Agency

RoHS 2011/65/EU
ISO 9001:2015

Classification

Compliant
Designed, manufactured and/or distributed under this quality management system

