



FIST™ GCO2 Fiber Optic Splice Closure, Heat Shrink Cable sealing, size BE, no pre-installed fiber trays, 6 ports, with test valve

- Single-ended, O-ring sealed dome closure for splicing feeder and distribution cables
- Compatible with most common cable types: e.g. loose tube, central core, ribbon fiber
- Universal mounting system (UMS) profiles provide foundation for mounting combinations of FIST splice trays
- Closure can be used in aerial, pedestal and underground (up to 5 meters) environments
- Compatible with CommScope's CWDM modules and optical splitter trays

Product Classification

| | |
|------------------------------|-----------------------------------|
| Product Type | Single-ended, round fiber closure |
| Regional Availability | EMEA |
| Product Series | FIST-GCO2 |
| Product Brand | FIST™ |

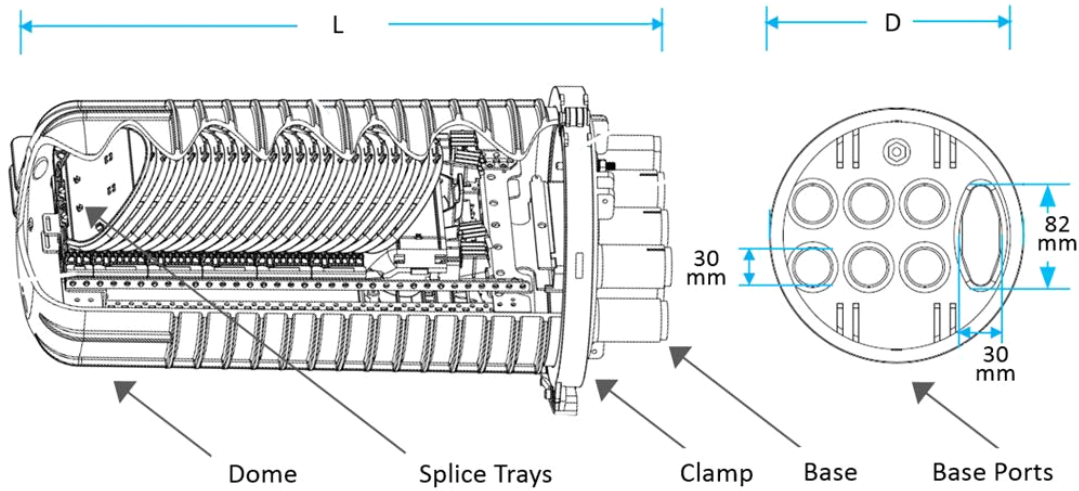
General Specifications

| | |
|---|-----------------------------|
| Splicing Type, Supported | Mass fusion Single fusion |
| Splicing Capacity, Mass Fusion, maximum | 464 |
| Splicing Capacity, Single Fusion, maximum | 672 |
| Color | Black |
| Network Area Type | Distribution |
| Package, quantity | 1 |
| Packaging Type | Box Carton |
| Splice Tray Included, quantity | 0 |
| Splicing Capacity, Single Splice, 12 fibers, maximum | 672 |
| Splicing Capacity, Single Splice, 2 fibers, maximum | 224 |

Dimensions

| | |
|---|-----------------------------------|
| Main Cable Diameter, maximum | 25.00 mm |
| Cable Entry Drop Port Diameter | 30 mm |
| Cable Entry Main Port Dimensions | 30 mm x 82 mm (1.18 in x 3.23 in) |
| Diameter | 247.00 mm 9.72 in |
| Diameter, with clamp | 285 mm 11 in |
| Length | 680.00 mm 26.77 in |
| Weight | 5.20 kg 11.46 lb |

Dimension Drawing



Mechanical Specifications

| | |
|------------------------------------|----------------------------------|
| Cable Sealing Type | Gel kit (optional) Heat shrink |
| Cable Entry Drop Port Style | Round |
| Cable Entry Main Port Style | Oval |
| Cable Ports, quantity | 7 |
| Closure Sealing Type | Dome-to-base clamp with O-ring |
| Closure Style | Single-ended |
| Material Type | Impact-resistant polymer |
| Mount Type | Pole Strand Wall |

Environmental Specifications

| | |
|-------------------------------|------------------------------------|
| Environmental Space | Below ground Buried |
| Qualification Standard | IEC 61300, 5 m waterhead |
| Water Resistance | Flash test valve at 5 psi (40 kPa) |

Regulatory Compliance/Certifications

| | |
|-----------------|--|
| Agency | Classification |
| RoHS 2011/65/EU | Compliant |
| ISO 9001:2015 | Designed, manufactured and/or distributed under this quality management system |

