



BUDI Fiber Optic Wall mount Enclosure, no adapters, single element FIST splice trays for SMOUV splices

- Compact, wall mountable fiber enclosures for indoor and outdoor use
- Specifically designed for fast FTTH deployment and easy customer connection
- Available with splicing (FIST) and/or patching and/or splitter combinations
- Multiple and modular cable port sealing options using gel technology

Product Classification

Brand	FIST™
Product Type	Fiber wall box
Product Series	BUDI
Regional Availability	EMEA

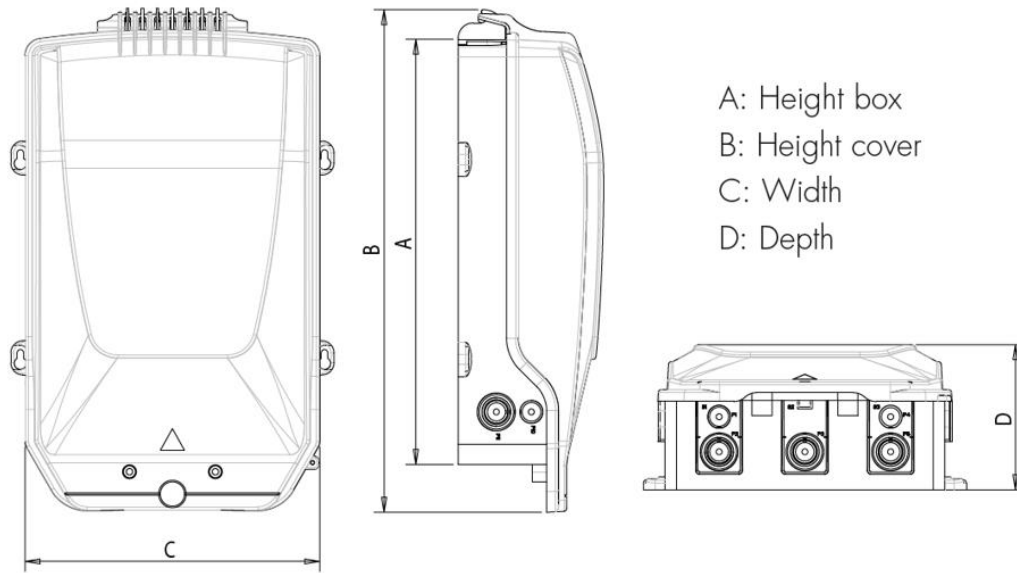
General Specifications

Enclosure Color	Gray
Functionality	Patching Splicing
Package, quantity	1
Packaging Type	Box Carton
Splice Tray Construction	SE (Single element)

Dimensions

Depth	60.00 mm 2.36 in
Height	260.00 mm 10.24 in
Height, with cover	285.00 mm 11.22 in
Width	155.00 mm 6.10 in

Dimension Drawing



Dimension Drawing Used as an image placeholder

Mechanical Specifications

Access Front
Enclosure Material Type LSZH thermoplastic
Front Cover Type Snap-on cover
Mount Type Wall

Environmental Specifications

Environmental Space Outdoor
Qualification Standard IEC 60529, IP54 | IEC 61753-1, category G

Regulatory Compliance/Certifications

Agency
RoHS 2011/65/EU

Classification
Compliant

