



BUDI Fiber Optic Wall mount Enclosure, 8 SC/APC adapters, single element FIST splice trays for SMOUV splices

- Compact, wall mountable fiber enclosures for indoor and outdoor use
- Specifically designed for fast FTTH deployment and easy customer connection
- Available with splicing (FIST) and/or patching and/or splitter combinations
- Multiple and modular cable port sealing options using gel technology

## Product Classification

<b>Brand</b>	FIST™
<b>Product Type</b>	Fiber wall box
<b>Product Series</b>	BUDI
<b>Regional Availability</b>	EMEA

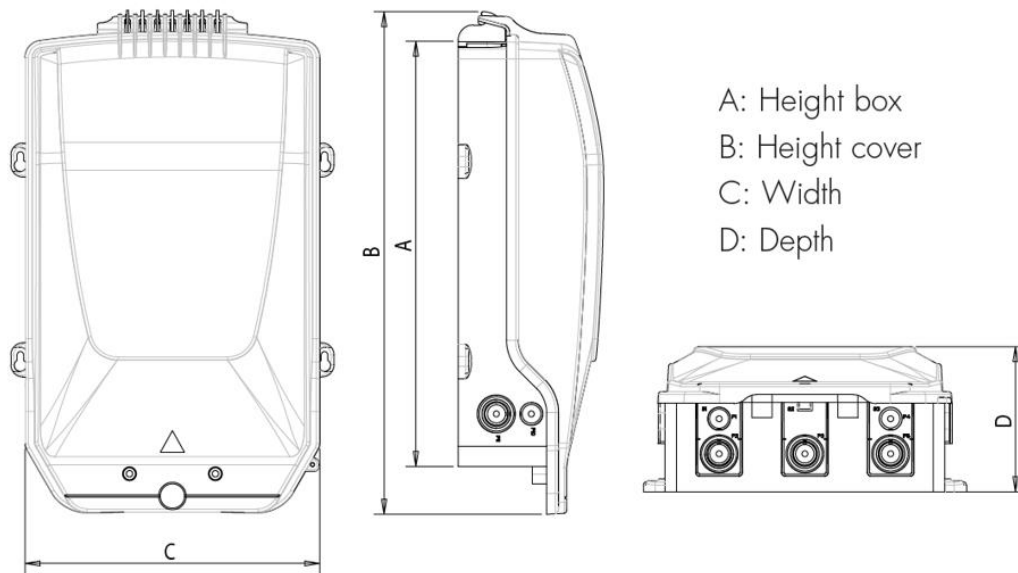
## General Specifications

<b>Enclosure Color</b>	Gray
<b>Functionality</b>	Patching   Splicing
<b>Interface Feature, input</b>	APC
<b>Interface, input</b>	SC
<b>Package, quantity</b>	1
<b>Packaging Type</b>	Box   Carton
<b>Port, quantity</b>	8
<b>Splice Tray Construction</b>	SE (Single element)
<b>Splicing Capacity, maximum</b>	8

## Dimensions

<b>Depth</b>	60.00 mm   2.36 in
<b>Height</b>	260.00 mm   10.24 in
<b>Height, with cover</b>	285.00 mm   11.22 in
<b>Width</b>	155.00 mm   6.10 in

## Dimension Drawing



A: Height box  
B: Height cover  
C: Width  
D: Depth

**Dimension Drawing** Used as an image placeholder

## Mechanical Specifications

**Access** Front  
**Enclosure Material Type** LSZH thermoplastic  
**Front Cover Type** Snap-on cover  
**Mount Type** Wall

## Optical Specifications

**Fiber Mode** Singlemode

## Environmental Specifications

**Environmental Space** Outdoor  
**Qualification Standard** IEC 60529, IP54 | IEC 61753-1, category G

## Regulatory Compliance/Certifications

**Agency**  
RoHS 2011/65/EU

**Classification**  
Compliant

