

FST-T-04NHM1-A0001F



FST Flexible Service Terminal, 4 Port, 4 Full-size hardened Adapters at drop side, 1 HMFOC Stub (Pinned/Jack) at feeder side, black, 1 ft long

- Flexible Service Terminals incorporate hardened connector technology that is designed to withstand the rugged outside plant environment
- Hardened connectors are factory-terminated and environmentally sealed for use in optical drop cable deployments
- Flexible structure plus very small branching unit, allowing installation in constrained spaces
- Output cables are staggered, optimizing distributed space consumption and minimizing cable kinking

Product Classification

Product Type	Access terminal, without splitter/tap
Product Series	FST-T
Regional Availability	Asia EMEA Latin America North America

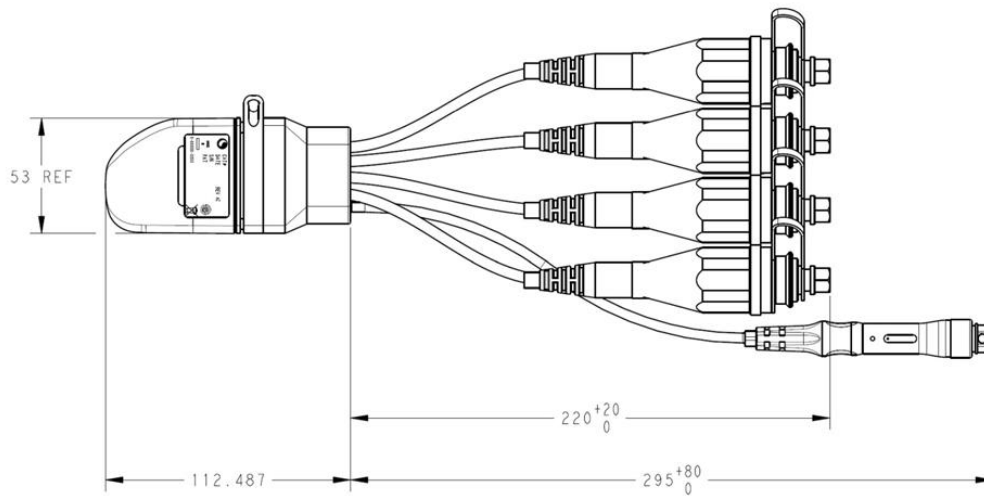
General Specifications

Distribution Type	4 ports
Port, quantity	4
Cable Type	Dielectric - Flat - Loose Tube
Port Type	Hardened full-size SC/APC
Stub Type	Hardened multi-fiber (HMFOC) jack, pinned
Cable, quantity	5
Enclosure Color	Black
Package, quantity	1
Packaging Type	Box Carton
Splitter, quantity	0

Dimensions

Cable Length	0.30 m 1.00 ft
Depth	31.00 mm 1.22 in
Height	112.50 mm 4.43 in
Outer Cable Dimensions	6.0 mm (0.23 in)
Weight, without cable	0.23 kg 0.50 lb
Width	53.00 mm 2.09 in

Dimension Drawing



Mechanical Specifications

Enclosure Material Type	Engineered plastic
Mount Type	Handhole Pedestal

Optical Specifications

Attenuation at Length, maximum	0.60 dB/km @ 1310 nm 0.60 dB/km @ 1550 nm
Fiber Type	G.657.A2
Insertion Loss, Stub Connector, maximum	0.45 dB
Insertion Loss, Stub Connector, typical	0.16 dB
Insertion Loss, Terminal Connector, maximum	0.40 dB
Insertion Loss, Terminal Connector, typical	0.16 dB
Return Loss, Connector, minimum	65 dB
Wavelength Range	1260–1635 nm

Environmental Specifications

Environmental Space	Above ground Below ground Buried
Operating Temperature	-40 °C to +70 °C (-40 °F to +158 °F)
Qualification Standard	IEC 60529, IP68 + 3 m waterhead Telcordia GR-3120-CORE Telcordia GR-3152-CORE Telcordia GR-326-CORE
UV Resistance	UV stabilized

Regulatory Compliance/Certifications

FST-T-04NHM1-A0001F

Agency

RoHS 2011/65/EU
ISO 9001:2015

Classification

Compliant
Designed, manufactured and/or distributed under this quality management system

