

## Mounting/Grounding Bracket



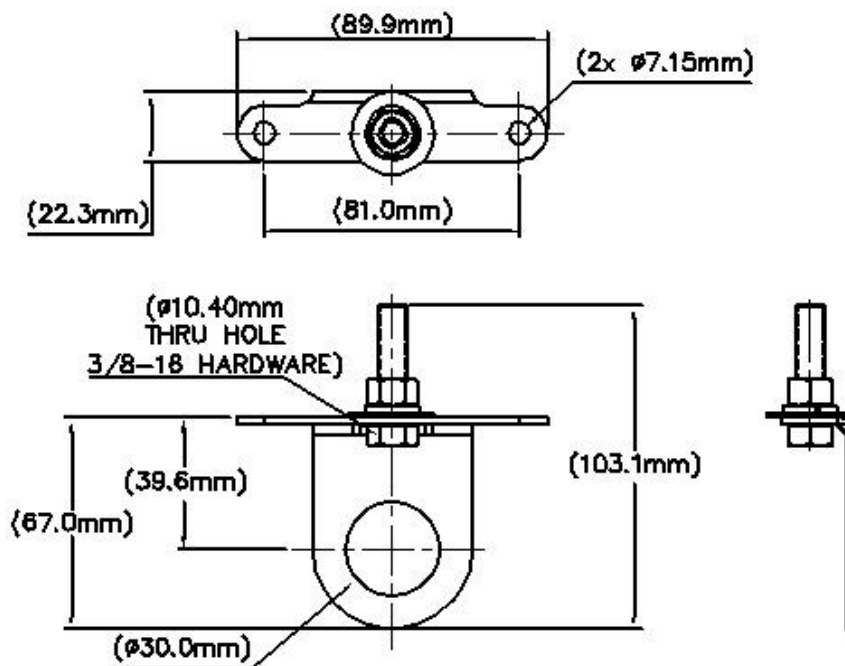
## Product Classification

**Product Type** Surge arrestor accessory

## General Specifications

**Interface** 7-16 DIN Female Bulkhead  
**Ordering Note** CommScope® non-standard product  
**Package Quantity** 1

## Outline Drawing



## Dimensions

**Height** 6.70 cm | 2.64 in  
**Length** 8.99 cm | 3.54 in  
**Weight** 0.12 kg | 0.26 lb

# 243950

---

**Width** 2.23 cm | 0.88 in

## Regulatory Compliance/Certifications

**Agency**

ISO 9001:2015

**Classification**

Designed, manufactured and/or distributed under this quality management system

