

Mounting/Grounding Bracket



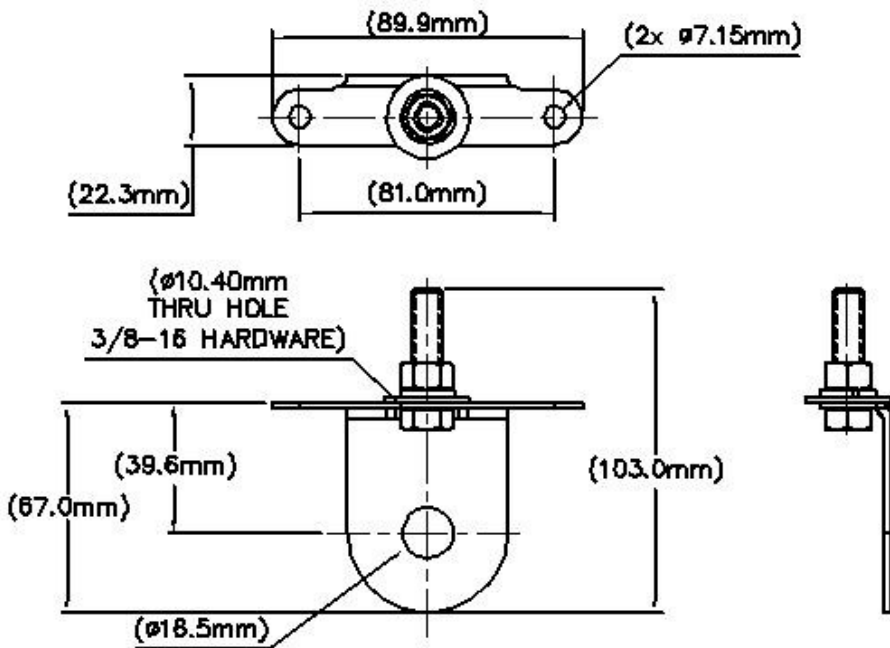
Product Classification

Product Type Surge arrestor accessory

General Specifications

Interface N Female Bulkhead
Ordering Note CommScope® non-standard product
Package Quantity 1

Outline Drawing



Dimensions

Height 6.70 cm | 2.64 in
Length 8.99 cm | 3.54 in
Weight 0.11 kg | 0.24 lb

243951

Width 2.23 cm | 0.88 in

Regulatory Compliance/Certifications

Agency

ISO 9001:2015

Classification

Designed, manufactured and/or distributed under this quality management system

