

DF-CAPKIT



7-16 DIN Female End Cap Assembly

Product Classification

Product Type

Surge arrester accessory

General Specifications

Interface

7-16 DIN Female

Ordering Note

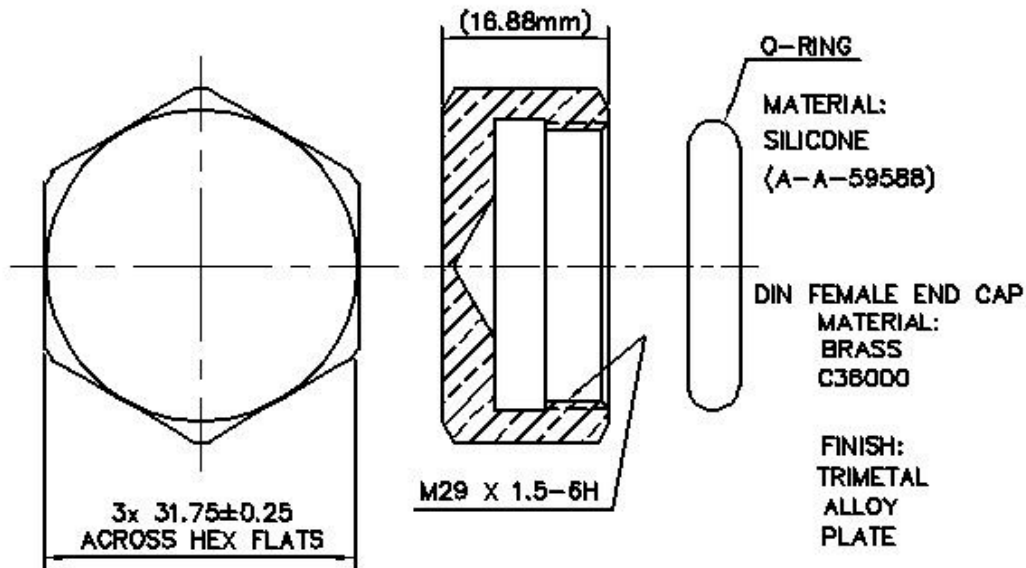
CommScope® standard product in Asia Pacific

Package Quantity

1

DF-CAPKIT

Outline Drawing



Dimensions

Length	16.88 mm 0.66 in
Weight	63.50 g 0.14 lb
Width	31.75 mm 1.25 in

Environmental Specifications

Corrosion Test Method	IEC 60068-2-11
Immersion Depth	1 m
Immersion Test Mating	Mated
Immersion Test Method	IEC 60529:2001, IP68
Mechanical Shock Test Method	IEC 60068-2-27
Moisture Resistance Test Method	IEC 60068-2-3
Operating Temperature	-55 °C to +85 °C (-67 °F to +185 °F)
Storage Temperature	-65 °C to +125 °C (-85 °F to +257 °F)
Thermal Shock Test Method	IEC 60068-2-14
Vibration Test Method	IEC 60068-2-6

Regulatory Compliance/Certifications

Agency	Classification
--------	----------------

DF-CAPKIT

RoHS 2011/65/EU
ISO 9001:2015
China RoHS SJ/T 11364-2014

Compliant by Exemption
Designed, manufactured and/or distributed under this quality management system
Above Maximum Concentration Value (MCV)



* Footnotes

Immersion Depth

Immersion at specified depth for 24 hours