

DM-CAPKIT

7-16 DIN Male End Cap Assembly

Product Classification

Product Type Surge arrestor accessory

General Specifications

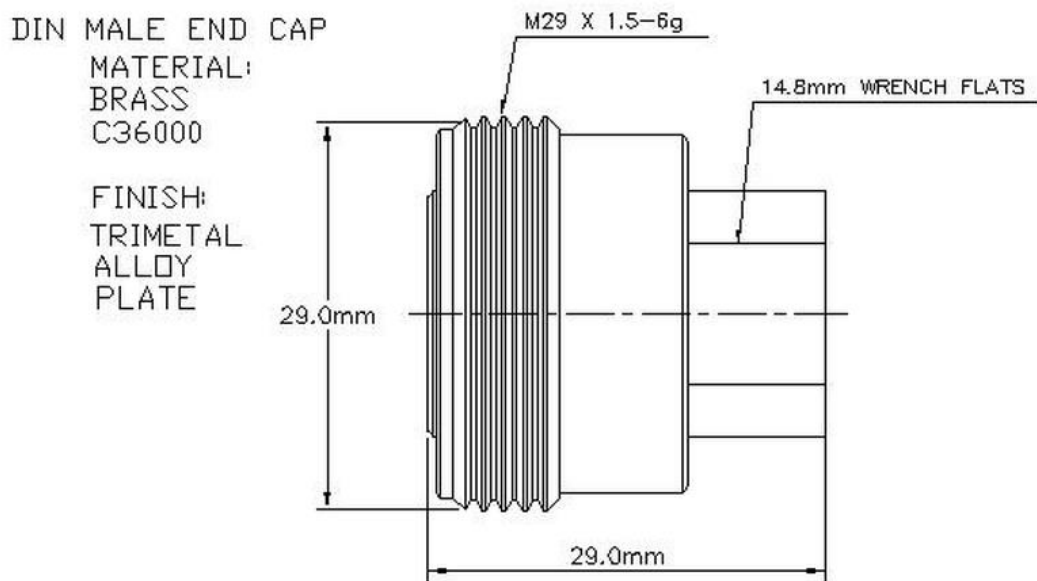
Interface 7-16 DIN Male

Ordering Note CommScope® non-standard product

Package Quantity 1

DM-CAPKIT

Outline Drawing



Dimensions

Height	9.20 cm 3.62 in
Length	19.05 cm 7.50 in
Weight	0.08 kg 0.18 lb
Width	11.11 cm 4.38 in

Environmental Specifications

Corrosion Test Method	IEC 60068-2-11
Immersion Depth	1 m
Immersion Test Mating	Mated
Immersion Test Method	IEC 60529:2001, IP68
Mechanical Shock Test Method	IEC 60068-2-27
Moisture Resistance Test Method	IEC 60068-2-3
Operating Temperature	-55 °C to +85 °C (-67 °F to +185 °F)
Storage Temperature	-65 °C to +125 °C (-85 °F to +257 °F)
Thermal Shock Test Method	IEC 60068-2-14
Vibration Test Method	IEC 60068-2-6

Regulatory Compliance/Certifications

DM-CAPKIT

Agency

RoHS 2011/65/EU
ISO 9001:2015
China RoHS SJ/T 11364-2014

Classification

Compliant by Exemption
Designed, manufactured and/or distributed under this quality management system
Above Maximum Concentration Value (MCV)



* Footnotes

Immersion Depth

Immersion at specified depth for 24 hours