

F1-PNMNM-HF



FSJ1-50A Jumper with interface types N Male and N Male, variable length

Product Classification

Product Series FSJ1-50A
Product Type SureFlex® standard

General Specifications

Body Style, Connector A Straight
Body Style, Connector B Straight
Interface, Connector A N Male
Interface, Connector B N Male
Length 0.000 m | 0.000 ft
Nominal Size 1/4 in
Specification Sheet Revision Level A

Environmental Specifications

Immersion Test Method Meets IEC 60529:2001, IP68 in mated condition

Jumper Assembly Sample Label



Return Loss/VSWR

Frequency Band	VSWR	Return Loss (dB)
10–18000 MHz	1.67	12.00

F1-PNMNM-HF

Regulatory Compliance/Certifications

Agency

RoHS 2011/65/EU
China RoHS SJ/T 11364-2014

Classification

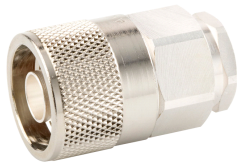
Compliant by Exemption
Above Maximum Concentration Value (MCV)



Included Products

F1PNM-HF — Type N Male for 1/4 in FSJ1-50A cable

Type N Male for 1/4 in FSJ1-50A cable



Product Classification

Brand	HELIAX®
Product Type	Wireless and radiating connector

General Specifications

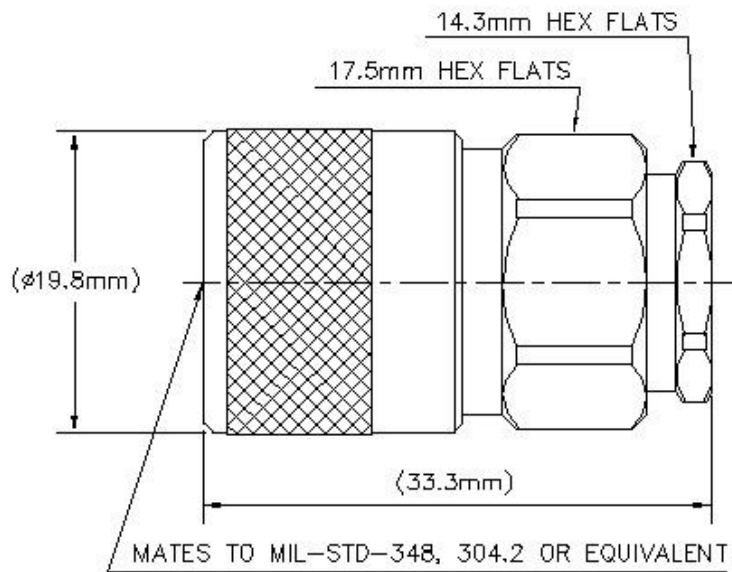
Interface	N Male
Body Style	Straight
Mounting Angle	Straight

Electrical Specifications

Connector Impedance	50 ohm
Operating Frequency Band	0 – 18000 MHz
Cable Impedance	50 ohm
RF Operating Voltage, maximum (vrms)	565.00 V
dc Test Voltage	1600 V
Outer Contact Resistance, maximum	0.25 mOhm
Inner Contact Resistance, maximum	1.00 mOhm
Insulation Resistance, minimum	5000 MOhm
Average Power	0.4 kW @ 900 MHz
Peak Power, maximum	6.40 kW
Shielding Effectiveness	-110 dB

F1PNM-HF

Outline Drawing



Mechanical Specifications

Outer Contact Attachment Method	Tab-flare
Inner Contact Attachment Method	Solder
Outer Contact Plating	Silver
Inner Contact Plating	Gold
Interface Durability	500 cycles
Interface Durability Method	IEC 61169-4:17
Connector Retention Tensile Force	450 N 101 lbf
Insertion Force	124.55 N 28.00 lbf
Insertion Force Method	IEC 61169-16:9.3.5
Pressurizable	No
Coupling Nut Proof Torque	1.70 N-m 1.25 ft lb
Coupling Nut Proof Torque Method	IEC 61169-16:9.3.11
Coupling Nut Retention Force	445.00 N 100.04 lbf
Coupling Nut Retention Force Method	IEC 61169-16:9.3.11

Dimensions

Nominal Size	1/4 in
Diameter	20.24 mm 0.80 in

F1PNM-HF

Height	20.24 mm 0.80 in
Length	33.32 mm 1.31 in
Weight	49.18 g 0.11 lb
Width	20.24 mm 0.80 in

Environmental Specifications

Operating Temperature	-55 °C to +85 °C (-67 °F to +185 °F)
Storage Temperature	-65 °C to +125 °C (-85 °F to +257 °F)
Immersion Depth	1 m
Immersion Test Mating	Mated
Immersion Test Method	IEC 60529:2001, IP68
Moisture Resistance Test Method	IEC 60068-2-3
Mechanical Shock Test Method	IEC 60068-2-27
Thermal Shock Test Method	IEC 60068-2-14
Vibration Test Method	IEC 60068-2-6
Corrosion Test Method	IEC 60068-2-11

Standard Conditions

Attenuation, Ambient Temperature	20 °C 68 °F
Average Power, Ambient Temperature	40 °C 104 °F
Average Power, Inner Conductor Temperature	100 °C 212 °F

Return Loss/VSWR

Frequency Band	VSWR	Return Loss (dB)
45–4100 MHz	1.05	33.00
4100–6200 MHz	1.08	28.00
6200–11000 MHz	1.17	22.00
11000–18000 MHz	1.22	20.00

Regulatory Compliance/Certifications

Agency	Classification
RoHS 2011/65/EU	Compliant by Exemption
ISO 9001:2015	Designed, manufactured and/or distributed under this quality management system
China RoHS SJ/T 11364-2014	Above Maximum Concentration Value (MCV)



* Footnotes

Immersion Depth

Immersion at specified depth for 24 hours