

F1-PSMSM-HF



FSJ1-50A Jumper with interface types SMA Male and SMA Male, variable length

Product Classification

Product Series FSJ1-50A
Product Type SureFlex® standard

General Specifications

Body Style, Connector A Straight
Body Style, Connector B Straight
Interface, Connector A SMA Male
Interface, Connector B SMA Male
Length 0.000 m | 0.000 ft
Nominal Size 1/4 in
Specification Sheet Revision Level A
Variable Length For custom lengths contact 828-324-2200 or 1-800-982-1708 (toll free), or your local CommScope representative

Environmental Specifications

Immersion Test Method Meets IEC 60529:2001, IP68 in mated condition

Jumper Assembly Sample Label

The label contains the following information:

- Batch:** 0123456789
- Manufacturing Date (two digit year and week):** US22 1240
- Manufacturing Plant:** US22
- Product Revision:** /A
- Part Number:** F4-DMDM-2M-D
- Serial Number:** 12US220001242

Other text on the label includes: COMMScope Andrew Solutions™, 2 M (6.562 FT), SUREFLEX ASSEMBLY, U.S. PATENT 5802710, Product of UNITED STATES, and a barcode.

F1-PSMSM-HF

Return Loss/VSWR

Frequency Band	VSWR	Return Loss (dB)
10–18000 MHz	1.58	13.00

Regulatory Compliance/Certifications

Agency

RoHS 2011/65/EU

ISO 9001:2015

China RoHS SJ/T 11364-2014

Classification

Compliant by Exemption

Designed, manufactured and/or distributed under this quality management system

Above Maximum Concentration Value (MCV)



Included Products

F1TSM-HF — SMA Male for 1/4 in FSJ1-50A cable

SMA Male for 1/4 in FSJ1-50A cable



Product Classification

Brand	HELIAX®
Product Type	Wireless and radiating connector

General Specifications

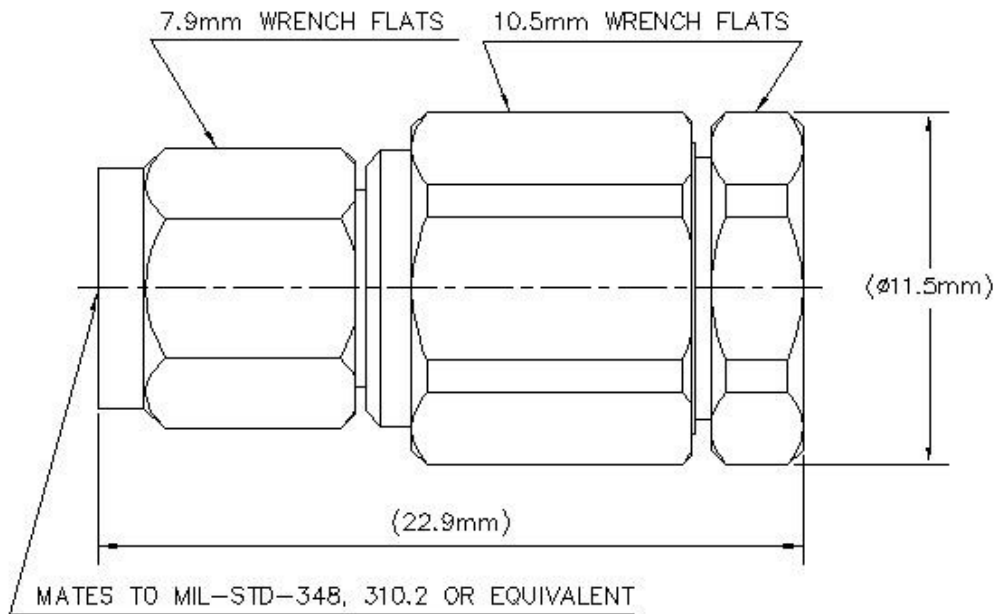
Interface	SMA Male
Body Style	Straight
Mounting Angle	Straight

Electrical Specifications

Connector Impedance	50 ohm
Operating Frequency Band	0 – 18000 MHz
Cable Impedance	50 ohm
RF Operating Voltage, maximum (vrms)	500.00 V
dc Test Voltage	1000 V
Outer Contact Resistance, maximum	2.50 mOhm
Inner Contact Resistance, maximum	3.00 mOhm
Insulation Resistance, minimum	5000 MOhm
Average Power	0.4 kW @ 900 MHz
Peak Power, maximum	5.00 kW
Shielding Effectiveness	-110 dB

F1TSM-HF

Outline Drawing



Mechanical Specifications

Outer Contact Attachment Method	Tab-flare
Inner Contact Attachment Method	Solder
Outer Contact Plating	Trimetal
Inner Contact Plating	Gold
Interface Durability	500 cycles
Interface Durability Method	IEC 61169-4:17
Connector Retention Tensile Force	450 N 101 lbf
Insertion Force	97.86 N 22.00 lbf
Insertion Force Method	IEC 61169-16:9.3.5
Pressurizable	No
Coupling Nut Proof Torque	1.70 N-m 1.25 ft lb
Coupling Nut Proof Torque Method	IEC 61169-16:9.3.11
Coupling Nut Retention Force	267.00 N 60.02 lbf
Coupling Nut Retention Force Method	IEC 61169-15:9.3.11

Dimensions

Nominal Size	1/4 in
Diameter	11.50 mm 0.45 in

F1TSM-HF

Height	11.50 mm 0.45 in
Length	22.89 mm 0.90 in
Weight	15.88 g 0.04 lb
Width	11.50 mm 0.45 in

Environmental Specifications

Operating Temperature	-55 °C to +85 °C (-67 °F to +185 °F)
Storage Temperature	-65 °C to +125 °C (-85 °F to +257 °F)
Moisture Resistance Test Method	IEC 60068-2-3
Mechanical Shock Test Method	IEC 60068-2-27
Thermal Shock Test Method	IEC 60068-2-14
Vibration Test Method	IEC 60068-2-6
Corrosion Test Method	IEC 60068-2-11

Standard Conditions

Attenuation, Ambient Temperature	20 °C 68 °F
Average Power, Ambient Temperature	40 °C 104 °F
Average Power, Inner Conductor Temperature	100 °C 212 °F

Return Loss/VSWR

Frequency Band	VSWR	Return Loss (dB)
824–2700 MHz	1.02	40.00
3000–6000 MHz	1.04	34.00
6000–12000 MHz	1.11	26.00
12000–19000 MHz	1.33	17.00

Regulatory Compliance/Certifications

Agency	Classification
RoHS 2011/65/EU	Compliant by Exemption
ISO 9001:2015	Designed, manufactured and/or distributed under this quality management system
China RoHS SJ/T 11364-2014	Above Maximum Concentration Value (MCV)

