

Stand-Off Sector Frame, 14 ft face, includes pipe

## Product Classification

**Product Type** Tower sector frame

## Dimensions

**Face Width** 4.4 m | 14.5 ft  
**Pipe Outer Diameter** 60.3 mm | 2 3/8 in  
**Height** 1828.8 mm | 72.0 in  
**Length** 1320.8 mm | 52.0 in  
**Mounting Diameter, maximum** 203.2 mm | 8 in  
**Mounting Diameter, minimum** 0.0 mm | 0 in  
**Weight** 205.5 kg | 453.0 lb  
**Width** 4419.6 mm | 174.0 in

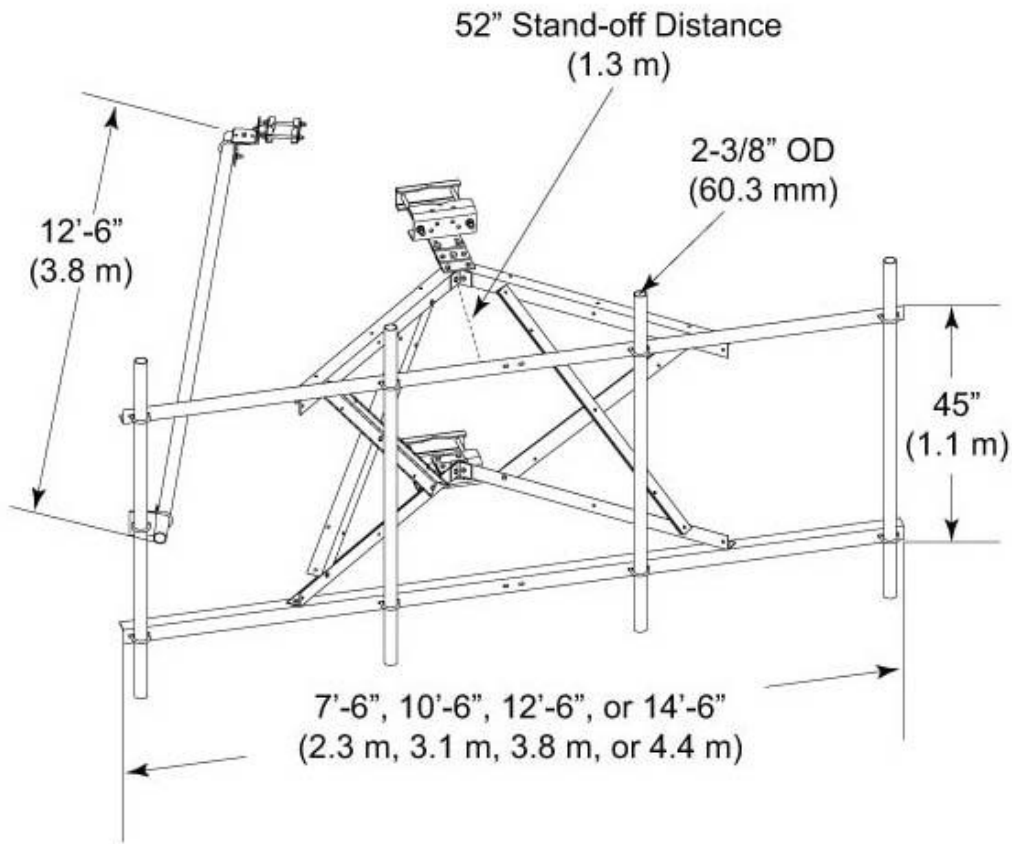
## Environmental Specifications

**EPA with 1/2 in (12 mm) radial ice** 2.4 m<sup>2</sup> | 25.4 ft<sup>2</sup>  
**EPA without ice** 1.8 m<sup>2</sup> | 19.5 ft<sup>2</sup>  
**Man Rating** 250 lb vertical man load at 15 mph (BWS)  
**Wind Rating** 120 mph (BWS) at 150 ft AGL | 140 mph (3-second gust) at 150 ft AGL using Exposure D per FBC  
**Wind Rating Test Method** TIA/EIA-222

## General Specifications

**Pipe Length** 1828.8 mm | 72.0 in  
**Pipe, quantity** 3  
**Stand-off Distance** 1320.8 mm | 52.0 in  
**Tower Taper** Non-tapered | Tapered  
**Includes** Clamps | Frame | Pipe mounts | Saddle mounts | Stiff arm  
**Material Type** Hot dip galvanized steel  
**Mounting** Angle 60°, 203.2 mm (8 in) | Angle 90°, 152.4 mm (6 in) | Straight or tapered legs up to 203.2 mm (8 in) OD  
**Note** Four 72 in x 8 in panel antennas per sector  
**Package Quantity** 1

## Outline Drawing



## Regulatory Compliance/Certifications

### Agency

ISO 9001:2015

### Classification

Designed, manufactured and/or distributed under this quality management system



## Included Products

MT-651 — Plain End Pipe, 2-3/8 in OD x 72 in

SF-SU14-B — Stand-Off Sector Frame, 14 ft face

- SM-U2080 — Universal Saddle Mount for straight or tapered legs up to 8 in OD, 8 in angle 60°, or 6 in angle 90°

## \* Footnotes

<b>EPA with 1/2 in (12 mm) radial ice</b>	EPA—Effective Projected Area
<b>EPA without ice</b>	EPA—Effective Projected Area
<b>Man Rating</b>	BWS—Base Wind Speed
<b>Wind Rating</b>	BWS—Base Wind Speed; FBC—Florida Building Code