



## AMPINNERGY® Line Entry Cable Assembly, 5-wire/3-circuit (3-1-1), shared neutral, 8 feet

- Used to interface between manufactured wiring and other wiring systems such as building wiring, fixture wiring, or access floor workstation module wiring
- Mates to power connector cable assemblies

### Product Classification

<b>Brand</b>	AMPINNERGY®
<b>Product Series</b>	AMPINNERGY
<b>Product Type</b>	Line entry cable assembly
<b>Regional Availability</b>	North America

### Dimensions

<b>Cord Length</b>	2.44 m   8.00 ft
<b>Exposed Conductor Length</b>	12.00 in

### Electrical Specifications

<b>Current Rating, maximum</b>	20.00 A
<b>Voltage Rating, maximum</b>	125.00 Vac   250.00 Vac

### Environmental Specifications

<b>Environmental Space</b>	Indoor
<b>Safety Standard</b>	CEC 2015   CSA 22.2   NEC 2013   UL 1286   UL 183   UL 498

### General Specifications

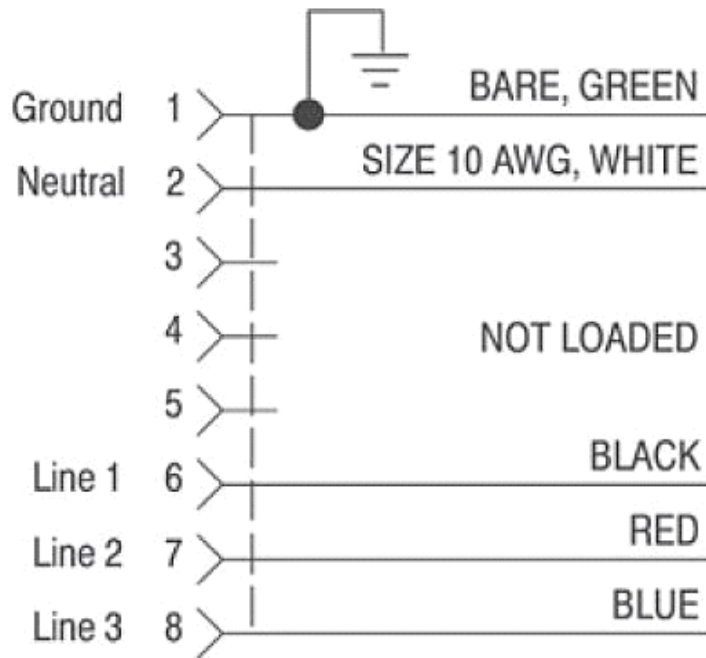
<b>Application</b>	Line entry connection
<b>Construction Type</b>	Corrugated hose
<b>Interface, connector A</b>	Power female plug
<b>Interface, connector B</b>	Unterminated
<b>Neutral Conductor Gauge, solid</b>	10 AWG
<b>Neutral Type</b>	Shared
<b>Package Quantity</b>	1
<b>Packaging Type</b>	Bag

### Mechanical Specifications

## Wiring

5-Wire/3 Circuit (3-1-1)

## Outline Drawing



## Outline Drawing

Used as an image placeholder

## Regulatory Compliance/Certifications

### Agency

RoHS 2011/65/EU

### Classification

Compliant

