

# 240PDM-C-CR



7-16 DIN Male for CNT- 240 braided cable

## **OBSOLETE**

This product was discontinued on: June 4, 2013

### **Replaced By**

240BPDM-C-CR

7-16 DIN Male for CNT- 240 braided cable

## Product Classification

<b>Brand</b>	CNT®
<b>Product Type</b>	Braided cable connector

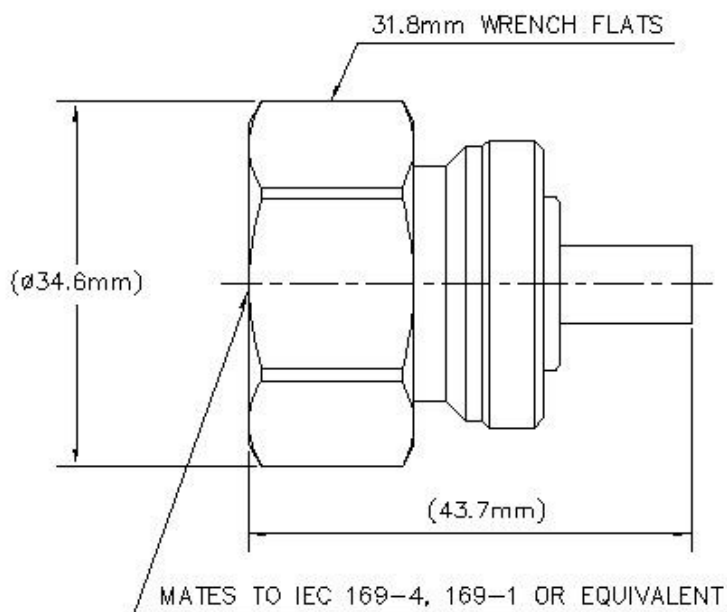
## General Specifications

<b>Interface</b>	7-16 DIN Male
<b>Body Style</b>	Straight

## Electrical Specifications

<b>Operating Frequency Band</b>	0 – 6000 MHz
<b>Cable Impedance</b>	50 ohm
<b>Connector Impedance</b>	50 ohm
<b>RF Operating Voltage, maximum (vrms)</b>	529.00 V
<b>dc Test Voltage</b>	1500 V
<b>Outer Contact Resistance, maximum</b>	1.50 mOhm
<b>Inner Contact Resistance, maximum</b>	0.40 mOhm
<b>Insulation Resistance, minimum</b>	10000 MOhm
<b>Peak Power, maximum</b>	5.60 kW
<b>Insertion Loss, typical</b>	0.05 dB

## Outline Drawing



## Mechanical Specifications

<b>Outer Contact Attachment Method</b>	Crimp
<b>Outer Contact Plating</b>	Trimetal
<b>Inner Contact Plating</b>	Silver
<b>Inner Contact Attachment Method</b>	Captivated
<b>Interface Durability</b>	500 cycles
<b>Interface Durability Method</b>	IEC 61169-4:9.5
<b>Connector Retention Tensile Force</b>	134 N   30 lbf
<b>Connector Retention Torque</b>	0.23 N-m   0.17 ft lb
<b>Coupling Nut Proof Torque</b>	50.00 N-m   36.88 ft lb
<b>Coupling Nut Proof Torque Method</b>	IEC 61169-4:9.3.6
<b>Coupling Nut Retention Force</b>	800.00 N   179.85 lbf
<b>Coupling Nut Retention Force Method</b>	IEC 61169-4:9.3.11

## Dimensions

<b>Nominal Size</b>	0.240 in
<b>Diameter</b>	35.92 mm   1.41 in
<b>Length</b>	43.69 mm   1.72 in
<b>Weight</b>	181.79 g   0.40 lb

# 240PDM-C-CR

---

**Width** 35.92 mm | 1.41 in

## Environmental Specifications

<b>Operating Temperature</b>	-40 °C to +85 °C (-40 °F to +185 °F)
<b>Storage Temperature</b>	-65 °C to +125 °C (-85 °F to +257 °F)
<b>Water Jetting Test Mating</b>	Mated
<b>Water Jetting Test Method</b>	IEC 60529:2001, IP65
<b>Mechanical Shock Test Method</b>	IEC 60068-2-27
<b>Climatic Sequence Test Method</b>	IEC 60068-1
<b>Damp Heat Steady State Test Method</b>	IEC 60068-2-3
<b>Thermal Shock Test Method</b>	IEC 60068-2-14
<b>Vibration Test Method</b>	IEC 60068-2-6
<b>Corrosion Test Method</b>	IEC 60068-2-11

## Standard Conditions

<b>Attenuation, Ambient Temperature</b>	20 °C   68 °F
<b>Average Power, Ambient Temperature</b>	40 °C   104 °F
<b>Average Power, Inner Conductor Temperature</b>	100 °C   212 °F

## Return Loss/VSWR

<b>Frequency Band</b>	<b>VSWR</b>	<b>Return Loss (dB)</b>
0–3000 MHz	1.05	32.00
3000–6000 MHz	1.17	22.00

## Regulatory Compliance/Certifications

<b>Agency</b>	<b>Classification</b>
ISO 9001:2015	Designed, manufactured and/or distributed under this quality management system



## \* Footnotes

**Insertion Loss, typical** 0.05vfreq (GHz) (not applicable for elliptical waveguide)