

# 240PMU-CR

---



Mini UHF Male for CNT-240 braided cable

## Product Classification

<b>Brand</b>	CNT®
<b>Product Type</b>	Braided cable connector

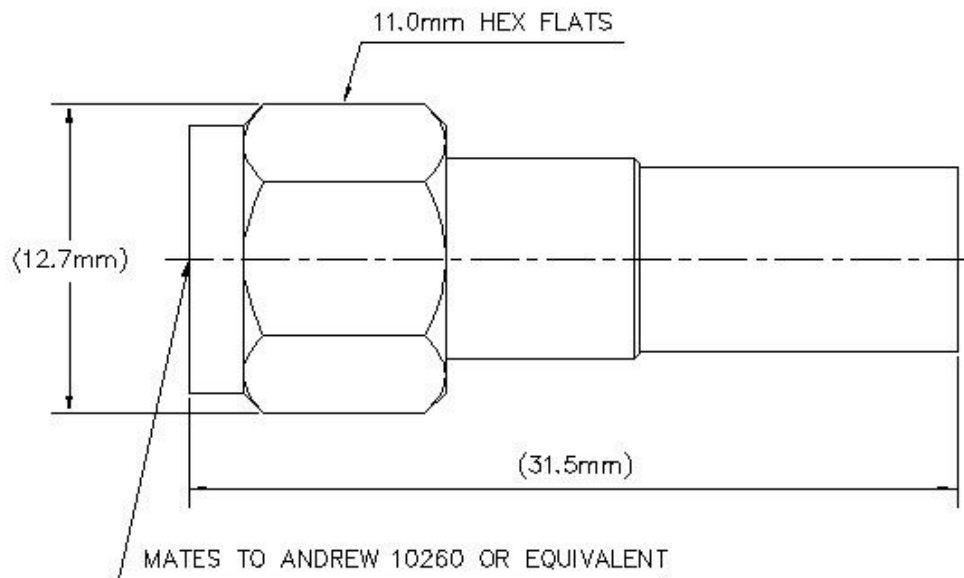
## General Specifications

<b>Interface</b>	Mini UHF Male
<b>Body Style</b>	Straight

## Electrical Specifications

<b>Operating Frequency Band</b>	0 – 6000 MHz
<b>Cable Impedance</b>	50 ohm
<b>Connector Impedance</b>	50 ohm
<b>dc Test Voltage</b>	1000 V
<b>Outer Contact Resistance, maximum</b>	5.00 mOhm
<b>Inner Contact Resistance, maximum</b>	5.00 mOhm
<b>Insulation Resistance, minimum</b>	5000 MOhm
<b>Average Power</b>	260.0 W @ 900 MHz
<b>Insertion Loss, typical</b>	0.05 dB

## Outline Drawing



## Mechanical Specifications

<b>Outer Contact Attachment Method</b>	Crimp
<b>Outer Contact Plating</b>	Trimetal
<b>Inner Contact Plating</b>	Gold
<b>Inner Contact Attachment Method</b>	Solder
<b>Interface Durability</b>	500 cycles
<b>Connector Retention Tensile Force</b>	134 N   30 lbf
<b>Connector Retention Torque</b>	0.23 N-m   0.17 ft lb
<b>Pressurizable</b>	No

## Dimensions

<b>Nominal Size</b>	0.240 in
<b>Diameter</b>	12.70 mm   0.50 in
<b>Length</b>	31.47 mm   1.24 in
<b>Weight</b>	11.17 g   0.02 lb
<b>Width</b>	12.70 mm   0.50 in

## Environmental Specifications

# 240PMU-CR

---

<b>Operating Temperature</b>	-40 °C to +85 °C (-40 °F to +185 °F)
<b>Storage Temperature</b>	-65 °C to +125 °C (-85 °F to +257 °F)
<b>Water Jetting Test Mating</b>	Mated
<b>Water Jetting Test Method</b>	IEC 60529:2001, IP65
<b>Mechanical Shock Test Method</b>	IEC 60068-2-27
<b>Climatic Sequence Test Method</b>	IEC 60068-1
<b>Damp Heat Steady State Test Method</b>	IEC 60068-2-3
<b>Thermal Shock Test Method</b>	IEC 60068-2-14
<b>Vibration Test Method</b>	IEC 60068-2-6
<b>Corrosion Test Method</b>	IEC 60068-2-11

## Standard Conditions

<b>Attenuation, Ambient Temperature</b>	20 °C   68 °F
<b>Average Power, Ambient Temperature</b>	40 °C   104 °F
<b>Average Power, Inner Conductor Temperature</b>	100 °C   212 °F

## Return Loss/VSWR

<b>Frequency Band</b>	<b>VSWR</b>	<b>Return Loss (dB)</b>
0–3000 MHz	1.17	22.00

## Regulatory Compliance/Certifications

### Agency

RoHS 2011/65/EU  
ISO 9001:2015  
China RoHS SJ/T 11364-2014

### Classification

Compliant by Exemption  
Designed, manufactured and/or distributed under this quality management system  
Above Maximum Concentration Value (MCV)



## \* Footnotes

**Insertion Loss, typical** 0.05√freq (GHz) (not applicable for elliptical waveguide)