

# C085NFBH

---

Type N Female Bulkhead for 0.085 in CF085-50 cable

## Product Classification

**Product Type** Wireless and radiating connector

## General Specifications

**Interface** N Female

**Body Style** Bulkhead

**Mounting Angle** Straight

## Electrical Specifications

**Connector Impedance** 50 ohm

**Operating Frequency Band** 0 – 6000 MHz

**Average Power at Frequency** 0.2 kW @ 900 MHz

**Cable Impedance** 50 ohm

**3rd Order IMD, typical** -112 dBm @ 910 MHz

**3rd Order IMD Test Method** Two +43 dBm carriers

**RF Operating Voltage, maximum (vrms)** 671.00 V

**dc Test Voltage** 1900 V

**Outer Contact Resistance, maximum** 0.25 mOhm

**Inner Contact Resistance, maximum** 1.00 mOhm

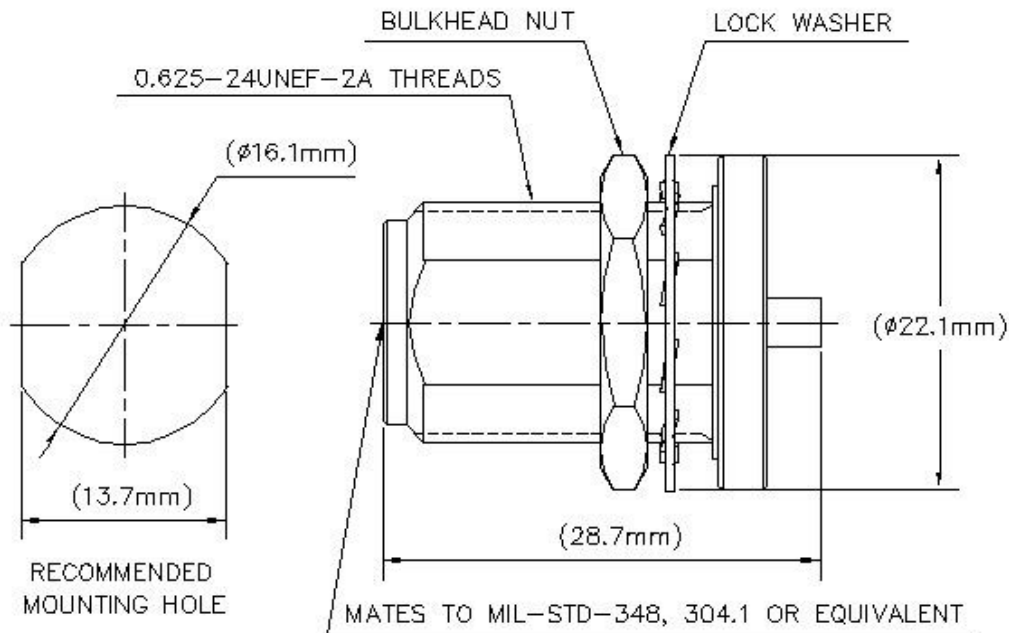
**Insulation Resistance, minimum** 5000 MOhm

**Peak Power, maximum** 0.21 kW

**Shielding Effectiveness** -100 dB

# C085NFBH

## Outline Drawing



## Mechanical Specifications

<b>Outer Contact Attachment Method</b>	Solder
<b>Inner Contact Attachment Method</b>	Solder
<b>Outer Contact Plating</b>	Trimetal
<b>Inner Contact Plating</b>	Gold
<b>Interface Durability</b>	500 cycles
<b>Interface Durability Method</b>	IEC 61169-4:17
<b>Insertion Force</b>	124.55 N   28.00 lbf
<b>Insertion Force Method</b>	IEC 61169-16:9.3.5
<b>Pressurizable</b>	No

## Dimensions

<b>Diameter</b>	22.10 mm   0.87 in
<b>Height</b>	22.10 mm   0.87 in
<b>Length</b>	28.70 mm   1.13 in
<b>Weight</b>	41.39 g   0.09 lb
<b>Width</b>	22.10 mm   0.87 in

## Environmental Specifications

# C085NFBH

---

<b>Operating Temperature</b>	-55 °C to +85 °C (-67 °F to +185 °F)
<b>Storage Temperature</b>	-65 °C to +125 °C (-85 °F to +257 °F)
<b>Immersion Depth</b>	1 m
<b>Immersion Test Mating</b>	Mated
<b>Immersion Test Method</b>	IEC 60529:2001, IP68
<b>Moisture Resistance Test Method</b>	IEC 60068-2-3
<b>Mechanical Shock Test Method</b>	IEC 60068-2-27
<b>Thermal Shock Test Method</b>	IEC 60068-2-14
<b>Vibration Test Method</b>	IEC 60068-2-6
<b>Corrosion Test Method</b>	IEC 60068-2-11

## Standard Conditions

<b>Attenuation, Ambient Temperature</b>	20 °C   68 °F
<b>Average Power, Ambient Temperature</b>	40 °C   104 °F
<b>Average Power, Inner Conductor Temperature</b>	100 °C   212 °F

## Return Loss/VSWR

<b>Frequency Band</b>	<b>VSWR</b>	<b>Return Loss (dB)</b>
824–2700 MHz	1.06	31.00
3000–6000 MHz	1.12	25.00

## Regulatory Compliance/Certifications

### Agency

RoHS 2011/65/EU  
ISO 9001:2015  
China RoHS SJ/T 11364-2014

### Classification

Compliant by Exemption  
Designed, manufactured and/or distributed under this quality management system  
Above Maximum Concentration Value (MCV)



## \* Footnotes

**Immersion Depth** Immersion at specified depth for 24 hours