

C141NFPM-10

Type N Female Panel Mount for 0.141 in CF141-50 cable



Product Classification

Product Type Wireless and radiating connector

General Specifications

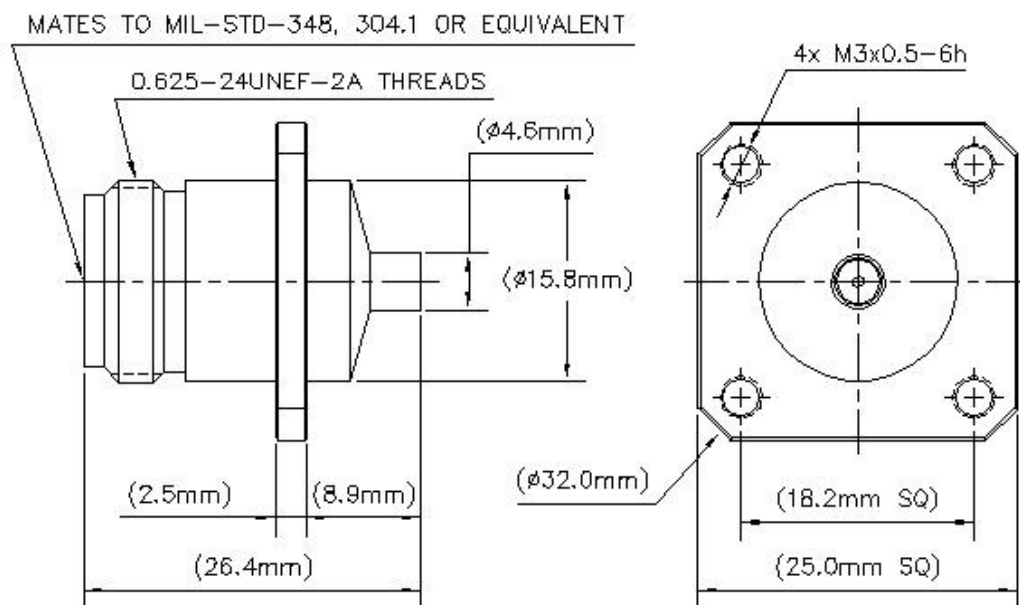
Interface N Female
Body Style Panel mount
Mounting Angle Straight

Electrical Specifications

Connector Impedance 50 ohm
Operating Frequency Band 0 – 6000 MHz
Average Power at Frequency 0.4 kW @ 900 MHz
Cable Impedance 50 ohm
3rd Order IMD, typical -90 dBm @ 910 MHz
3rd Order IMD Test Method Two +43 dBm carriers
RF Operating Voltage, maximum (vrms) 671.00 V
dc Test Voltage 1900 V
Outer Contact Resistance, maximum 0.25 mOhm
Inner Contact Resistance, maximum 1.00 mOhm
Insulation Resistance, minimum 5000 MOhm
Peak Power, maximum 0.66 kW
Shielding Effectiveness -100 dB

C141NFPM-10

Outline Drawing



Mechanical Specifications

Outer Contact Attachment Method	Solder
Inner Contact Attachment Method	Solder
Outer Contact Plating	Trimetal
Inner Contact Plating	Gold
Interface Durability	500 cycles
Interface Durability Method	IEC 61169-4:17
Insertion Force	124.55 N 28.00 lbf
Insertion Force Method	IEC 61169-16:9.3.5
Pressurizable	No

Dimensions

Diameter	25.00 mm 0.98 in
Height	25.00 mm 0.98 in
Length	26.37 mm 1.04 in
Weight	33.80 g 0.07 lb
Width	25.00 mm 0.98 in

Environmental Specifications

C141NFPM-10

Operating Temperature	-55 °C to +85 °C (-67 °F to +185 °F)
Storage Temperature	-65 °C to +125 °C (-85 °F to +257 °F)
Immersion Depth	1 m
Immersion Test Mating	Mated
Immersion Test Method	IEC 60529:2001, IP68
Moisture Resistance Test Method	IEC 60068-2-3
Mechanical Shock Test Method	IEC 60068-2-27
Thermal Shock Test Method	IEC 60068-2-14
Vibration Test Method	IEC 60068-2-6
Corrosion Test Method	IEC 60068-2-11

Standard Conditions

Attenuation, Ambient Temperature	20 °C 68 °F
Average Power, Ambient Temperature	40 °C 104 °F
Average Power, Inner Conductor Temperature	100 °C 212 °F

Return Loss/VSWR

Frequency Band	VSWR	Return Loss (dB)
824–2700 MHz	1.08	28.00
3000–6000 MHz	1.22	20.00

Regulatory Compliance/Certifications

Agency

RoHS 2011/65/EU
ISO 9001:2015
China RoHS SJ/T 11364-2014

Classification

Compliant by Exemption
Designed, manufactured and/or distributed under this quality management system
Above Maximum Concentration Value (MCV)



* Footnotes

Immersion Depth Immersion at specified depth for 24 hours