

DIN rail adaptor for RJ45 modular jack

Product Classification

Portfolio	NETCONNECT®
Product Type	Adapter
Regional Availability	Asia EMEA Latin America North America

Dimensions

Depth	64.50 mm 2.54 in
Height	77.70 mm 3.06 in
Width	16.13 mm 0.64 in

Environmental Specifications

Environmental Space	Indoor
----------------------------	--------

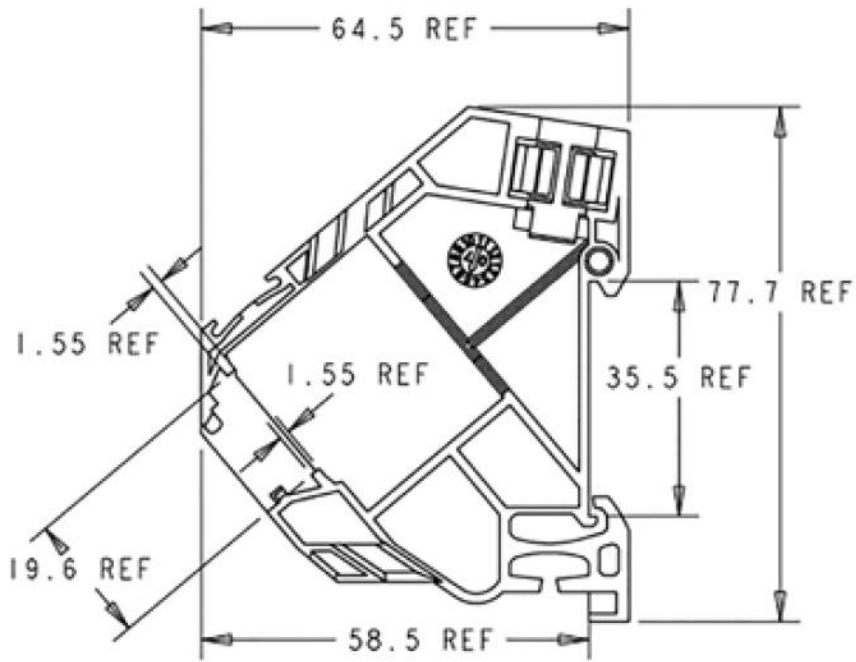
General Specifications

Color	Gray
Application	For use with SL Series outlets (UTP and STP)
Includes	Label holder Tie wrap
Package Quantity	1
Packaging Type	Bag

Mechanical Specifications

Material Type	Polyamide (PA) 30% glass filled
----------------------	---------------------------------

Outline Drawing



Outline Drawing

Used as an image placeholder

Regulatory Compliance/Certifications

Agency

RoHS 2011/65/EU

Classification

Compliant

