



Type N Male to SMA Male Adapter

Product Classification

Product Type Adapter

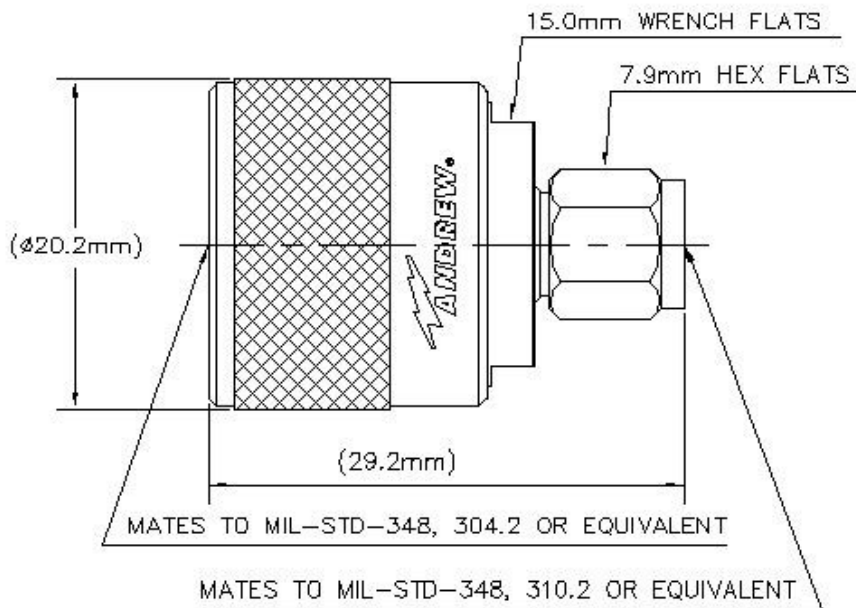
General Specifications

Interface N Male
Interface 2 SMA Male
Body Style Straight
Mounting Angle Straight

Electrical Specifications

Connector Impedance 50 ohm
Operating Frequency Band 0 – 6000 MHz
RF Operating Voltage, maximum (vrms) 500.00 V
dc Test Voltage 1000 V
Outer Contact Resistance, maximum 2.50 mOhm
Inner Contact Resistance, maximum 3.00 mOhm
Insulation Resistance, minimum 5000 MOhm
Average Power 100.0 W @ 900 MHz
Peak Power, maximum 5.00 kW

Outline Drawing



Mechanical Specifications

Coupling Nut Proof Torque	1.70 N-m 1.25 ft lb
Coupling Nut Proof Torque Method	IEC 61169-16:9.3.6
Coupling Nut Retention Force	180.00 N 40.47 lbf
Coupling Nut Retention Force Method	IEC 61169-15:9.3.11
Inner Contact Plating	Gold
Insertion Force	28.00 N 6.29 lbf
Insertion Force Method	IEC 61169-16:9.3.5
Interface Durability	500 cycles
Interface Durability Method	IEC 61169-15:9.5 IEC 61169-16:9.5
Outer Contact Plating	Trimetal
Pressurizable	No

Dimensions

Diameter	20.24 mm 0.80 in
Length	29.16 mm 1.15 in
Weight	33.83 g 0.07 lb
Width	20.24 mm 0.80 in

CA-NMSM

Environmental Specifications

Operating Temperature	-55 °C to +85 °C (-67 °F to +185 °F)
Storage Temperature	-65 °C to +125 °C (-85 °F to +257 °F)
Mechanical Shock Test Method	IEC 60068-2-27
Climatic Sequence Test Method	IEC 60068-1
Damp Heat Steady State Test Method	IEC 60068-2-3
Thermal Shock Test Method	IEC 60068-2-14
Vibration Test Method	IEC 60068-2-6
Corrosion Test Method	IEC 60068-2-11

Standard Conditions

Attenuation, Ambient Temperature	20 °C 68 °F
Average Power, Ambient Temperature	40 °C 104 °F
Average Power, Inner Conductor Temperature	100 °C 212 °F

Return Loss/VSWR

Frequency Band	VSWR	Return Loss (dB)
0–3000 MHz	1.04	34.37
3000–6000 MHz	1.06	30.44

Regulatory Compliance/Certifications

Agency

RoHS 2011/65/EU
ISO 9001:2015
China RoHS SJ/T 11364-2014

Classification

Compliant by Exemption
Designed, manufactured and/or distributed under this quality management system
Above Maximum Concentration Value (MCV)

