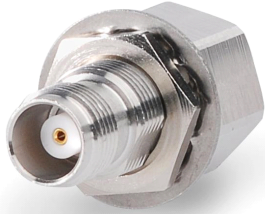


TNC Female for 1/4 in FSJ1-50A cable



Product Classification

Brand	HELIAX®
Product Type	Wireless and radiating connector

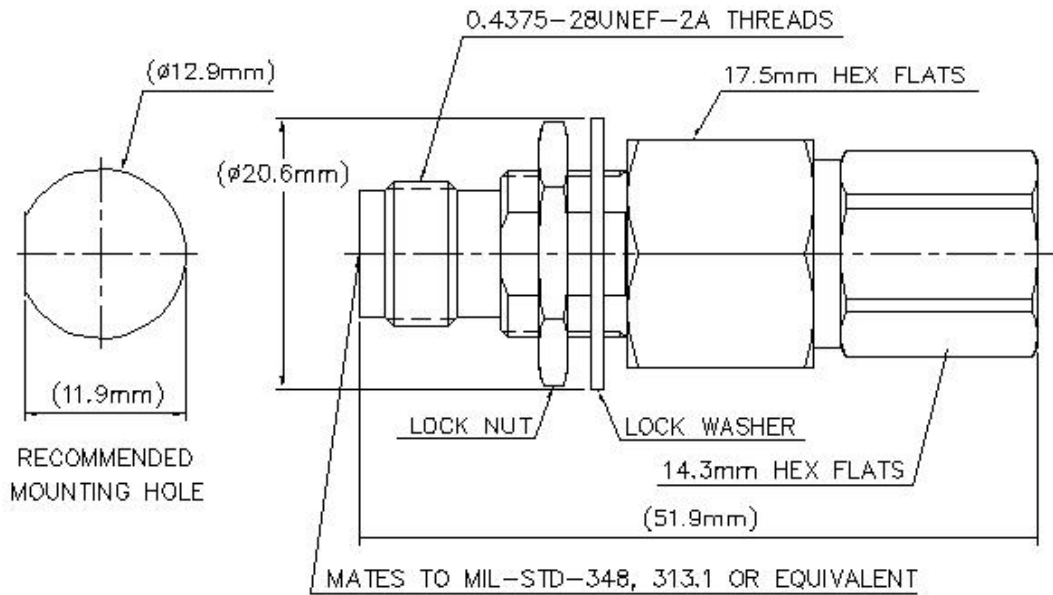
General Specifications

Interface	TNC Female
Body Style	Straight
Mounting Angle	Straight

Electrical Specifications

Connector Impedance	50 ohm
Operating Frequency Band	0 – 18000 MHz
Cable Impedance	50 ohm
3rd Order IMD, typical	-102 dBm @ 910 MHz
3rd Order IMD Test Method	Two +43 dBm carriers
RF Operating Voltage, maximum (vrms)	500.00 V
dc Test Voltage	1500 V
Outer Contact Resistance, maximum	0.40 mOhm
Inner Contact Resistance, maximum	1.50 mOhm
Insulation Resistance, minimum	5000 MOhm
Average Power	396.0 W @ 900 MHz
Peak Power, maximum	5.00 kW
Shielding Effectiveness	-110 dB

Outline Drawing



Mechanical Specifications

Outer Contact Attachment Method	Tab-flare
Inner Contact Attachment Method	Captivated
Outer Contact Plating	Trimetal
Inner Contact Plating	Gold
Attachment Durability	500 cycles
Interface Durability	500 cycles
Interface Durability Method	IEC 61169-17:17
Connector Retention Tensile Force	450 N 101 lbf
Insertion Force	28.00 N 6.29 lbf
Insertion Force Method	IEC 61169-17:9.3.5
Pressurizable	No

Dimensions

Nominal Size	1/4 in
Diameter	20.62 mm 0.81 in
Length	51.88 mm 2.04 in
Weight	56.68 g 0.12 lb
Width	20.62 mm 0.81 in

Environmental Specifications

Operating Temperature	-55 °C to +85 °C (-67 °F to +185 °F)
Storage Temperature	-65 °C to +125 °C (-85 °F to +257 °F)
Immersion Depth	1 m
Immersion Test Mating	Mated
Immersion Test Method	IEC 60529:2001, IP68
Moisture Resistance Test Method	IEC 60068-2-3
Mechanical Shock Test Method	IEC 60068-2-27
Thermal Shock Test Method	IEC 60068-2-14
Vibration Test Method	IEC 60068-2-6
Corrosion Test Method	IEC 60068-2-11

Standard Conditions

Attenuation, Ambient Temperature	20 °C 68 °F
Average Power, Ambient Temperature	40 °C 104 °F
Average Power, Inner Conductor Temperature	100 °C 212 °F

Return Loss/VSWR

Frequency Band	VSWR	Return Loss (dB)
45–3600 MHz	1.15	23.10
3600–7200 MHz	1.20	20.80
7200–10800 MHz	1.20	20.80
10800–14400 MHz	1.29	17.90
14400–18000 MHz	1.92	10.00

Regulatory Compliance/Certifications

Agency	Classification
RoHS 2011/65/EU	Compliant by Exemption
ISO 9001:2015	Designed, manufactured and/or distributed under this quality management system
China RoHS SJ/T 11364-2014	Below Maximum Concentration Value (MCV)



* Footnotes

Immersion Depth Immersion at specified depth for 24 hours