

## 7-16 DIN Female to 7-16 DIN Male Right Angle Adapter



### Product Classification

**Product Type** Adapter

### General Specifications

**Interface** 7-16 DIN Female

**Interface 2** 7-16 DIN Male

**Body Style** Right angle

### Electrical Specifications

**Connector Impedance** 50 ohm

**Operating Frequency Band** 0 – 6000 MHz

**RF Operating Voltage, maximum (vrms)** 1200.00 V

**dc Test Voltage** 4000 V

**Outer Contact Resistance, maximum** 1.50 mOhm

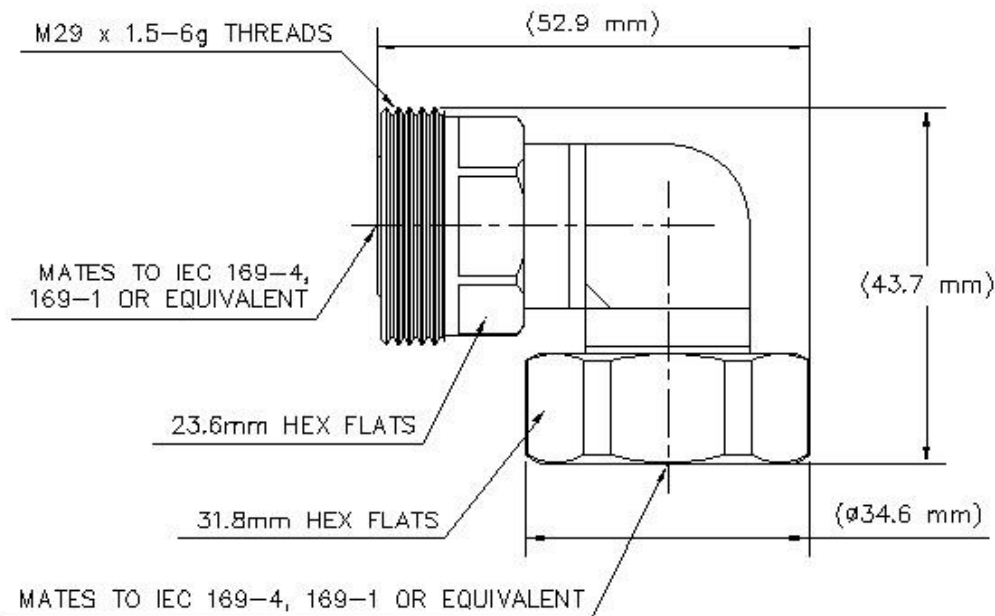
**Inner Contact Resistance, maximum** 0.40 mOhm

**Insulation Resistance, minimum** 10000 MOhm

**Average Power** 1300.0 W @ 900 MHz

**Peak Power, maximum** 28.80 kW

## Outline Drawing



## Mechanical Specifications

<b>Coupling Nut Proof Torque</b>	50.00 N-m   36.88 ft lb
<b>Coupling Nut Proof Torque Method</b>	IEC 61169-4:17
<b>Coupling Nut Retention Force</b>	800.00 N   179.85 lbf
<b>Coupling Nut Retention Force Method</b>	IEC 61169-4:15.2.6
<b>Inner Contact Plating</b>	Silver
<b>Insertion Force</b>	200.00 N   44.96 lbf
<b>Interface Durability</b>	500 cycles
<b>Interface Durability Method</b>	IEC 61169-4:17
<b>Outer Contact Plating</b>	Trimetal
<b>Pressurizable</b>	No

## Dimensions

<b>Diameter</b>	31.75 mm   1.25 in
<b>Length</b>	53.00 mm   2.09 in
<b>Weight</b>	171.00 g   0.38 lb
<b>Width</b>	31.75 mm   1.25 in

## Environmental Specifications

# CA-DFDR

---

<b>Operating Temperature</b>	-40 °C to +85 °C (-40 °F to +185 °F)
<b>Storage Temperature</b>	-65 °C to +125 °C (-85 °F to +257 °F)
<b>Mechanical Shock Test Method</b>	IEC 60068-2-27
<b>Climatic Sequence Test Method</b>	IEC 60068-1
<b>Damp Heat Steady State Test Method</b>	IEC 60068-2-3
<b>Thermal Shock Test Method</b>	IEC 60068-2-14
<b>Vibration Test Method</b>	IEC 60068-2-6
<b>Corrosion Test Method</b>	IEC 60068-2-11

## Return Loss/VSWR

<b>Frequency Band</b>	<b>VSWR</b>	<b>Return Loss (dB)</b>
0–3000 MHz	1.08	28.00
3000–6000 MHz	1.17	22.00

## Regulatory Compliance/Certifications

### **Agency**

RoHS 2011/65/EU

ISO 9001:2015

China RoHS SJ/T 11364-2014

### **Classification**

Compliant by Exemption

Designed, manufactured and/or distributed under this quality management system

Above Maximum Concentration Value (MCV)

