

TA-NFNF



Type N Female to Type N Female Low-PIM Adapter

Product Classification

Product Type Adapter

General Specifications

Interface N Female

Interface 2 N Female

Body Style Straight

Mounting Angle Straight

Electrical Specifications

Connector Impedance 50 ohm

Operating Frequency Band 0 – 6000 MHz

Average Power at Frequency 600.0 W @ 900 MHz

3rd Order IMD, typical -163 -dBc @ 1800 MHz

3rd Order IMD Test Method Two +43 dBm carriers

RF Operating Voltage, maximum (vrms) 707.00 V

dc Test Voltage 2500 V

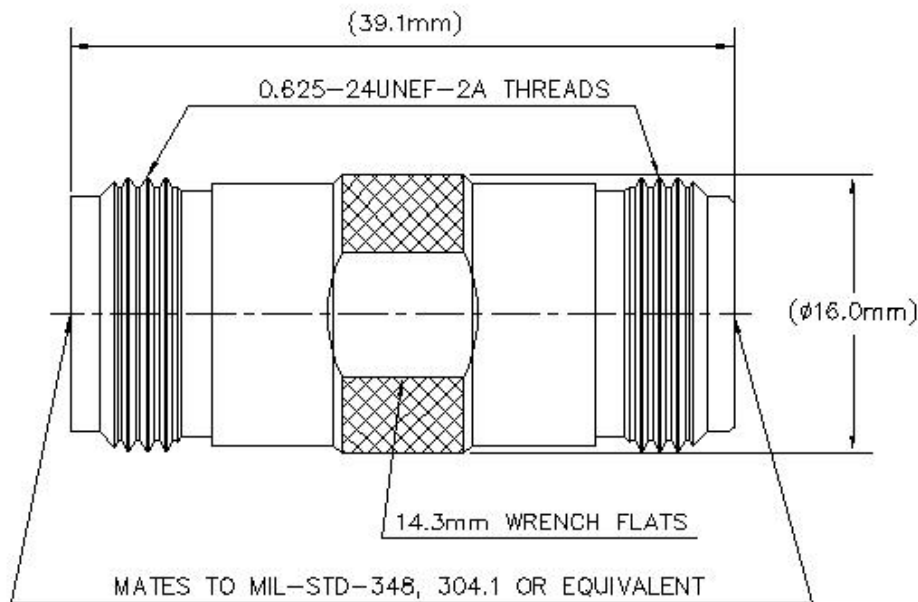
Outer Contact Resistance, maximum 0.25 mOhm

Inner Contact Resistance, maximum 1.00 mOhm

Insulation Resistance, minimum 5000 MOhm

Peak Power, maximum 10.00 kW

Outline Drawing



Mechanical Specifications

Inner Contact Plating	Gold
Insertion Force	28.00 N 6.29 lbf
Insertion Force Method	IEC 61169-16:9.3.5
Interface Durability	500 cycles
Interface Durability Method	IEC 61169-16:9.5
Outer Contact Plating	Trimetal
Pressurizable	No

Dimensions

Diameter	16.00 mm 0.63 in
Length	39.09 mm 1.54 in
Weight	46.35 g 0.10 lb
Width	16.00 mm 0.63 in

Environmental Specifications

Operating Temperature	-55 °C to +85 °C (-67 °F to +185 °F)
Storage Temperature	-65 °C to +125 °C (-85 °F to +257 °F)

TA-NFNF

Mechanical Shock Test Method	IEC 60068-2-27
Climatic Sequence Test Method	IEC 60068-1
Damp Heat Steady State Test Method	IEC 60068-2-3
Thermal Shock Test Method	IEC 60068-2-14
Vibration Test Method	IEC 60068-2-6
Corrosion Test Method	IEC 60068-2-11

Standard Conditions

Attenuation, Ambient Temperature	20 °C 68 °F
Average Power, Ambient Temperature	40 °C 104 °F
Average Power, Inner Conductor Temperature	100 °C 212 °F

Return Loss/VSWR

Frequency Band	VSWR	Return Loss (dB)
0–3000 MHz	1.05	32.00
3000–6000 MHz	1.13	24.00

Regulatory Compliance/Certifications

Agency

RoHS 2011/65/EU

ISO 9001:2015

China RoHS SJ/T 11364-2014

Classification

Compliant by Exemption

Designed, manufactured and/or distributed under this quality management system

Above Maximum Concentration Value (MCV)

