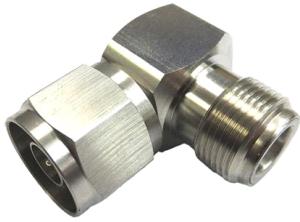


## Type N Male to Type N Female Right Angle Low-PIM Adapter



### Product Classification

**Product Type** Adapter

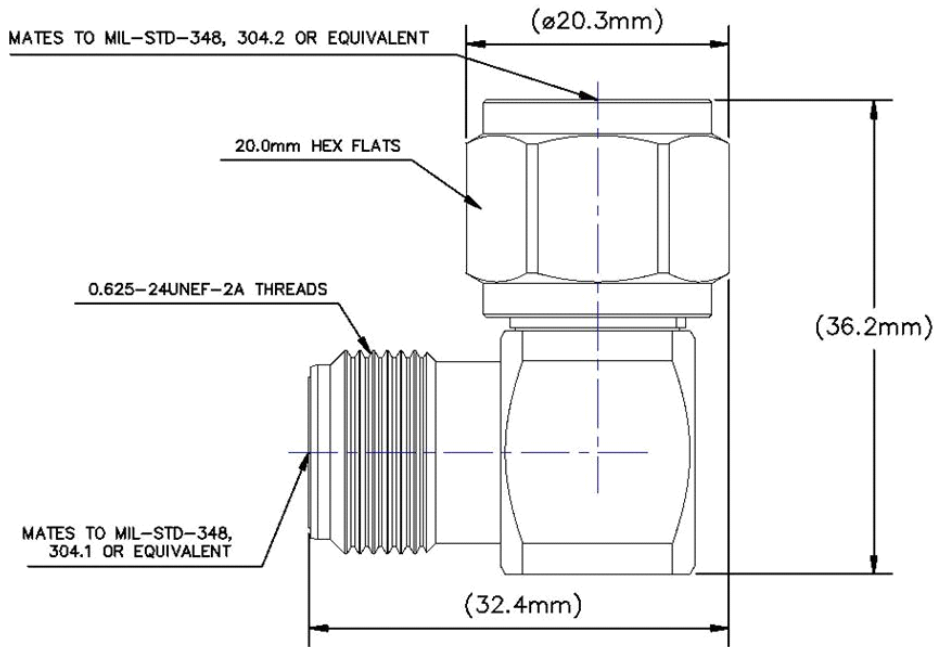
### General Specifications

**Interface** N Male  
**Interface 2** N Female  
**Body Style** Right angle  
**Mounting Angle** Right angle

### Electrical Specifications

**Connector Impedance** 50 ohm  
**Operating Frequency Band** 0 – 8000 MHz  
**Average Power at Frequency** 600.0 W @ 900 MHz  
**3rd Order IMD, typical** -163 -dBc @ 1800 MHz  
**3rd Order IMD Test Method** Two +43 dBm carriers  
**RF Operating Voltage, maximum (vrms)** 707.00 V  
**dc Test Voltage** 2500 V  
**Outer Contact Resistance, maximum** 0.25 mOhm  
**Inner Contact Resistance, maximum** 1.00 mOhm  
**Insulation Resistance, minimum** 5000 MOhm  
**Peak Power, maximum** 10.00 kW

## Outline Drawing



## Mechanical Specifications

<b>Coupling Nut Proof Torque</b>	1.70 N-m   1.25 ft lb
<b>Coupling Nut Proof Torque Method</b>	IEC 61169-16:9.3.6
<b>Coupling Nut Retention Force</b>	450.00 N   101.16 lbf
<b>Coupling Nut Retention Force Method</b>	IEC 61169-16:9.3.11
<b>Inner Contact Plating</b>	Silver
<b>Insertion Force</b>	28.00 N   6.29 lbf
<b>Insertion Force Method</b>	IEC 61169-16:9.3.5
<b>Interface Durability</b>	500 cycles
<b>Interface Durability Method</b>	IEC 61169-16:9.5
<b>Outer Contact Plating</b>	Trimetal
<b>Pressurizable</b>	No

## Dimensions

<b>Diameter</b>	20.25 mm   0.80 in
<b>Length</b>	36.59 mm   1.44 in
<b>Weight</b>	67.55 g   0.15 lb

**Width** 32.38 mm | 1.27 in

## Environmental Specifications

<b>Operating Temperature</b>	-55 °C to +85 °C (-67 °F to +185 °F)
<b>Storage Temperature</b>	-65 °C to +125 °C (-85 °F to +257 °F)
<b>Immersion Depth</b>	1 m
<b>Immersion Test Mating</b>	Mated
<b>Immersion Test Method</b>	IEC 60529:2001, IP68
<b>Mechanical Shock Test Method</b>	IEC 60068-2-27
<b>Climatic Sequence Test Method</b>	IEC 60068-1
<b>Damp Heat Steady State Test Method</b>	IEC 60068-2-3
<b>Thermal Shock Test Method</b>	IEC 60068-2-14
<b>Vibration Test Method</b>	IEC 60068-2-6
<b>Corrosion Test Method</b>	IEC 60068-2-11

## Standard Conditions

<b>Attenuation, Ambient Temperature</b>	20 °C   68 °F
<b>Average Power, Ambient Temperature</b>	40 °C   104 °F
<b>Average Power, Inner Conductor Temperature</b>	100 °C   212 °F

## Return Loss/VSWR

<b>Frequency Band</b>	<b>VSWR</b>	<b>Return Loss (dB)</b>
0–3000 MHz	1.07	30.00
3000–6000 MHz	1.22	20.00

## Regulatory Compliance/Certifications

<b>Agency</b>	<b>Classification</b>
RoHS 2011/65/EU	Compliant by Exemption
ISO 9001:2015	Designed, manufactured and/or distributed under this quality management system
China RoHS SJ/T 11364-2014	Above Maximum Concentration Value (MCV)



## \* Footnotes

**Immersion Depth** Immersion at specified depth for 24 hours