

R6PNF



Type N Female Low PIM Positive Stop™ for 1-1/4 in RCT RADIAX® Radiating cable

Product Classification

Brand	RADIAX®
Product Type	Wireless and radiating connector

General Specifications

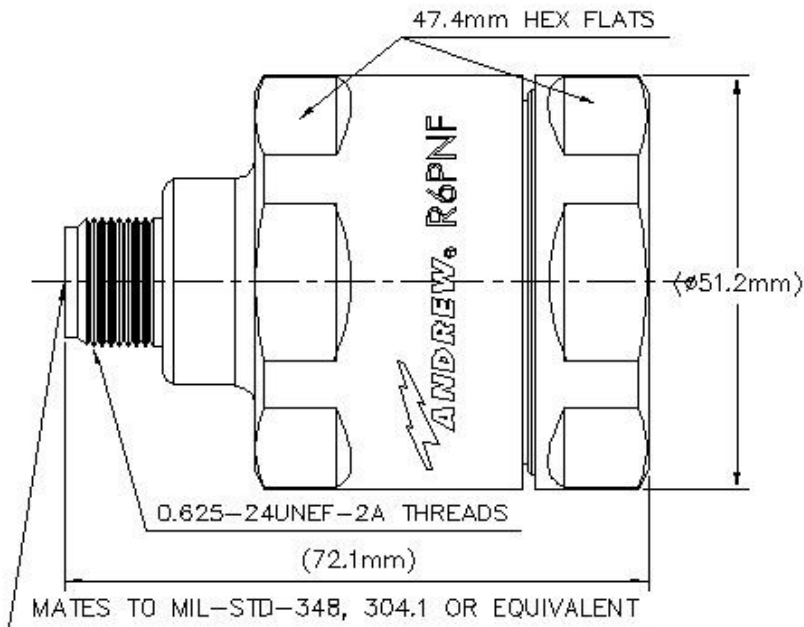
Interface	N Female
Body Style	Straight
Mounting Angle	Straight

Electrical Specifications

Connector Impedance	50 ohm
Operating Frequency Band	0 – 2700 MHz
Cable Impedance	50 ohm
3rd Order IMD, typical	-107 dBm @ 910 MHz
3rd Order IMD Test Method	Two +43 dBm carriers
RF Operating Voltage, maximum (vrms)	707.00 V
dc Test Voltage	2500 V
Outer Contact Resistance, maximum	1.00 mOhm
Inner Contact Resistance, maximum	2.00 mOhm
Insulation Resistance, minimum	5000 MOhm
Peak Power, maximum	10.00 kW
Insertion Loss, typical	0.05 dB

R6PNF

Outline Drawing



Mechanical Specifications

Outer Contact Attachment Method	Clamp
Inner Contact Attachment Method	Captivated
Outer Contact Plating	Trimetal
Inner Contact Plating	Silver
Interface Durability	500 cycles
Interface Durability Method	IEC 61169-16:9.5
Connector Retention Tensile Force	800 N 180 lbf

Dimensions

Nominal Size	1-1/4 in
Diameter	51.20 mm 2.02 in
Length	72.10 mm 2.84 in
Weight	420.15 g 0.93 lb

Environmental Specifications

Operating Temperature	-55 °C to +85 °C (-67 °F to +185 °F)
Storage Temperature	-55 °C to +85 °C (-67 °F to +185 °F)

R6PNF

Moisture Resistance Test Method	IEC 60068-2-3
Mechanical Shock Test Method	IEC 60068-2-27
Thermal Shock Test Method	IEC 60068-2-14
Vibration Test Method	IEC 60068-2-6
Corrosion Test Method	IEC 60068-2-11

Standard Conditions

Attenuation, Ambient Temperature	20 °C 68 °F
Average Power, Ambient Temperature	40 °C 104 °F

Return Loss/VSWR

Frequency Band	VSWR	Return Loss (dB)
50–1000 MHz	1.04	34.15
1010–2200 MHz	1.06	30.71
2200–2700 MHz	1.06	30.71

Regulatory Compliance/Certifications

Agency

RoHS 2011/65/EU
ISO 9001:2015
China RoHS SJ/T 11364-2014

Classification

Compliant by Exemption
Designed, manufactured and/or distributed under this quality management system
Above Maximum Concentration Value (MCV)



* Footnotes

Insertion Loss, typical $0.05\sqrt{\text{freq (GHz)}}$ (not applicable for elliptical waveguide)