

R6PDM



7-16 DIN Male Low PIM Positive Stop™ for 1-1/4 in RCT RADIAX® Radiating cable

Product Classification

Brand RADIAX®
Product Type Wireless and radiating connector

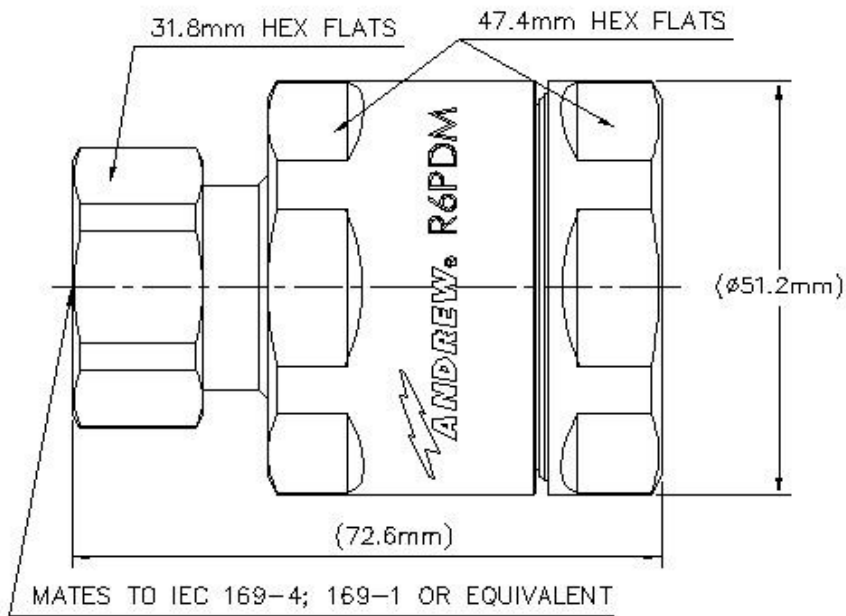
General Specifications

Interface 7-16 DIN Male
Body Style Straight
Mounting Angle Straight

Electrical Specifications

Connector Impedance 50 ohm
Operating Frequency Band 0 – 2700 MHz
Cable Impedance 50 ohm
3rd Order IMD, typical -107 dBm @ 910 MHz
3rd Order IMD Test Method Two +43 dBm carriers
RF Operating Voltage, maximum (vrms) 1200.00 V
dc Test Voltage 4000 V
Outer Contact Resistance, maximum 1.50 mOhm
Inner Contact Resistance, maximum 0.40 mOhm
Insulation Resistance, minimum 10000 MOhm
Peak Power, maximum 28.80 kW
Insertion Loss, typical 0.05 dB

Outline Drawing



Mechanical Specifications

Outer Contact Attachment Method	Clamp
Inner Contact Attachment Method	Captivated
Outer Contact Plating	Trimetal
Inner Contact Plating	Silver
Interface Durability	500 cycles
Interface Durability Method	IEC 61169-4:9.5
Connector Retention Tensile Force	800 N 180 lbf
Coupling Nut Proof Torque	35.00 N-m 25.81 ft lb
Coupling Nut Retention Force	1000.00 N 224.81 lbf
Coupling Nut Retention Force Method	IEC 61169-4:9.3.11

Dimensions

Nominal Size	1-1/4 in
Diameter	51.20 mm 2.02 in
Length	72.60 mm 2.86 in
Weight	447.10 g 0.99 lb

Environmental Specifications

R6PDM

Operating Temperature	-55 °C to +85 °C (-67 °F to +185 °F)
Storage Temperature	-55 °C to +85 °C (-67 °F to +185 °F)
Moisture Resistance Test Method	IEC 60068-2-3
Mechanical Shock Test Method	IEC 60068-2-27
Thermal Shock Test Method	IEC 60068-2-14
Vibration Test Method	IEC 60068-2-6
Corrosion Test Method	IEC 60068-2-11

Standard Conditions

Attenuation, Ambient Temperature	20 °C 68 °F
Average Power, Ambient Temperature	40 °C 104 °F

Return Loss/VSWR

Frequency Band	VSWR	Return Loss (dB)
50–1000 MHz	1.04	34.15
1010–2200 MHz	1.06	30.71
2200–2700 MHz	1.09	27.32

Regulatory Compliance/Certifications

Agency

RoHS 2011/65/EU
ISO 9001:2015
China RoHS SJ/T 11364-2014

Classification

Compliant by Exemption
Designed, manufactured and/or distributed under this quality management system
Above Maximum Concentration Value (MCV)



* Footnotes

Insertion Loss, typical $0.05\sqrt{\text{freq (GHz)}}$ (not applicable for elliptical waveguide)