

# CA-NMNM

---



Type N Male to Type N Male Adapter

## Product Classification

**Product Type** Adapter

## General Specifications

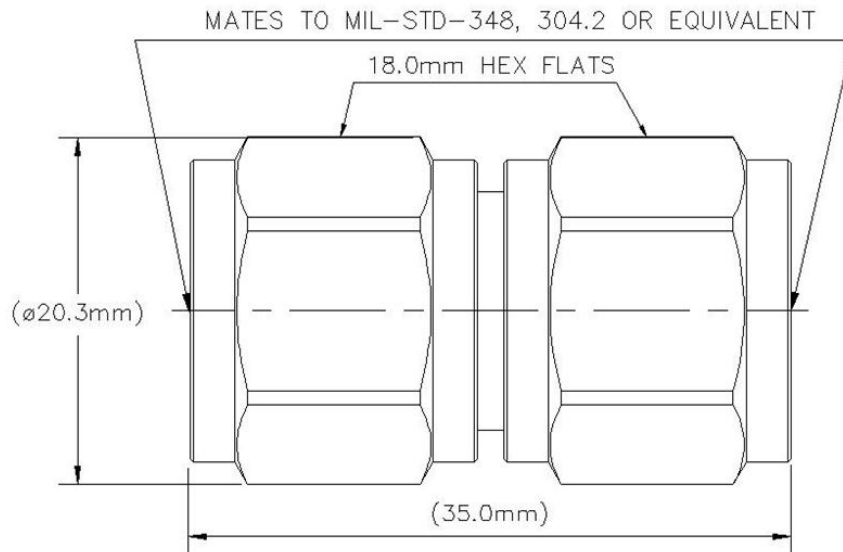
**Interface** N Male  
**Interface 2** N Male  
**Body Style** Straight  
**Mounting Angle** Straight

## Electrical Specifications

**Connector Impedance** 50 ohm  
**Operating Frequency Band** 0 – 6000 MHz  
**RF Operating Voltage, maximum (vrms)** 707.00 V  
**dc Test Voltage** 2500 V  
**Outer Contact Resistance, maximum** 0.25 mOhm  
**Inner Contact Resistance, maximum** 1.00 mOhm  
**Insulation Resistance, minimum** 5000 MOhm  
**Peak Power, maximum** 10.00 kW

# CA-NMNM

## Outline Drawing



## Mechanical Specifications

<b>Coupling Nut Proof Torque</b>	1.70 N-m   1.25 ft lb
<b>Coupling Nut Proof Torque Method</b>	IEC 61169-16:9.3.6
<b>Coupling Nut Retention Force</b>	450.00 N   101.16 lbf
<b>Coupling Nut Retention Force Method</b>	IEC 61169-16:9.3.11
<b>Inner Contact Plating</b>	Silver
<b>Interface Durability</b>	500 cycles
<b>Interface Durability Method</b>	IEC 61169-16:9.5
<b>Outer Contact Plating</b>	Trimetal

## Dimensions

<b>Diameter</b>	20.62 mm   0.81 in
<b>Length</b>	35.00 mm   1.38 in
<b>Weight</b>	46.79 g   0.10 lb
<b>Width</b>	20.25 mm   0.80 in

# CA-NMNM

---

## Environmental Specifications

<b>Operating Temperature</b>	-55 °C to +85 °C (-67 °F to +185 °F)
<b>Storage Temperature</b>	-65 °C to +125 °C (-85 °F to +257 °F)
<b>Mechanical Shock Test Method</b>	IEC 60068-2-27
<b>Climatic Sequence Test Method</b>	IEC 60068-1
<b>Damp Heat Steady State Test Method</b>	IEC 60068-2-3
<b>Thermal Shock Test Method</b>	IEC 60068-2-14
<b>Vibration Test Method</b>	IEC 60068-2-6
<b>Corrosion Test Method</b>	IEC 60068-2-11

## Standard Conditions

<b>Attenuation, Ambient Temperature</b>	20 °C   68 °F
<b>Average Power, Ambient Temperature</b>	40 °C   104 °F
<b>Average Power, Inner Conductor Temperature</b>	100 °C   212 °F

## Return Loss/VSWR

<b>Frequency Band</b>	<b>VSWR</b>	<b>Return Loss (dB)</b>
0–3000 MHz	1.02	40.00
3000–6000 MHz	1.04	35.00

## Regulatory Compliance/Certifications

### Agency

RoHS 2011/65/EU  
ISO 9001:2015  
China RoHS SJ/T 11364-2014

### Classification

Compliant by Exemption  
Designed, manufactured and/or distributed under this quality management system  
Above Maximum Concentration Value (MCV)

