

TA-NFHF



N Female to 4.3-10 Female Low-PIM Adapter

Product Classification

Product Type Adapter

General Specifications

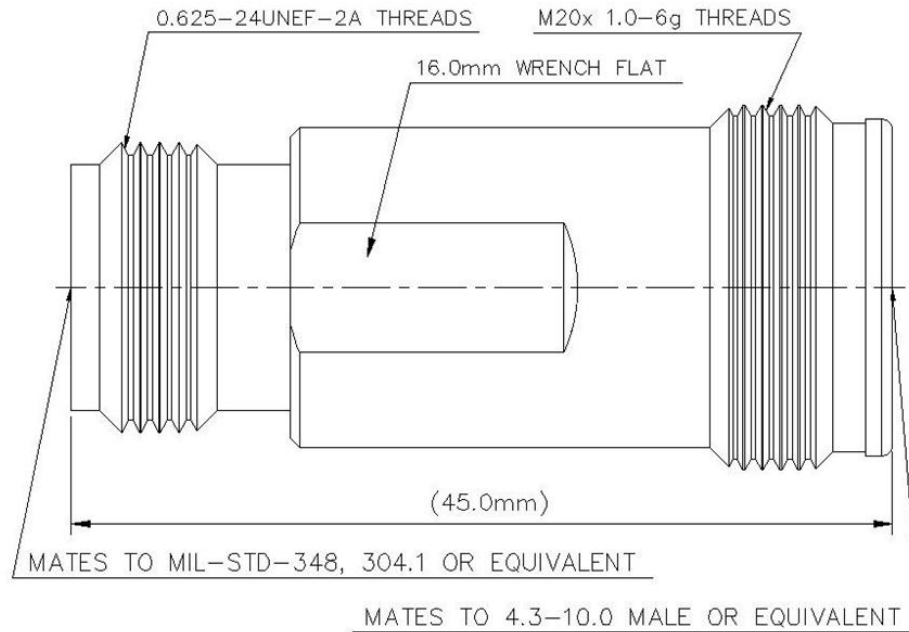
Interface N Female
Interface 2 4.3-10 Female
Body Style Straight
Mounting Angle Straight

Electrical Specifications

Connector Impedance 50 ohm
Operating Frequency Band 0 – 6000 MHz
3rd Order IMD, typical -163 -dBc @ 1800 MHz
3rd Order IMD Test Method Two +43 dBm carriers
dc Test Voltage 2500 V
Outer Contact Resistance, maximum 1.00 mOhm
Inner Contact Resistance, maximum 1.00 mOhm
Insulation Resistance, minimum 5000 MOhm

TA-NFHF

Outline Drawing



Mechanical Specifications

| | |
|-------------------------------------|-----------------------|
| Coupling Nut Proof Torque | 7.00 N-m 5.16 ft lb |
| Coupling Nut Retention Force | 450.00 N 101.16 lbf |
| Inner Contact Plating | Silver |
| Interface Durability | 100 cycles |
| Outer Contact Plating | Trimetal |

Dimensions

| | |
|-----------------|--------------------|
| Diameter | 34.60 mm 1.36 in |
| Length | 45.00 mm 1.77 in |
| Weight | 55.65 g 0.12 lb |

Environmental Specifications

| | |
|------------------------------|---------------------------------------|
| Operating Temperature | -55 °C to +85 °C (-67 °F to +185 °F) |
| Storage Temperature | -65 °C to +125 °C (-85 °F to +257 °F) |

TA-NFHF

| | |
|---|----------------|
| Mechanical Shock Test Method | IEC 60068-2-27 |
| Climatic Sequence Test Method | IEC 60068-1 |
| Damp Heat Steady State Test Method | IEC 60068-2-3 |
| Thermal Shock Test Method | IEC 60068-2-14 |
| Vibration Test Method | IEC 60068-2-6 |
| Corrosion Test Method | IEC 60068-2-11 |

Standard Conditions

| | |
|---|-----------------|
| Attenuation, Ambient Temperature | 20 °C 68 °F |
| Average Power, Ambient Temperature | 40 °C 104 °F |
| Average Power, Inner Conductor Temperature | 100 °C 212 °F |

Return Loss/VSWR

| Frequency Band | VSWR | Return Loss (dB) |
|-----------------------|-------------|-------------------------|
| 0–4000 MHz | 1.03 | 36.00 |
| 4000–6000 MHz | 1.08 | 28.00 |

Regulatory Compliance/Certifications

Agency

RoHS 2011/65/EU

ISO 9001:2015

China RoHS SJ/T 11364-2014

Classification

Compliant by Exemption

Designed, manufactured and/or distributed under this quality management system

Above Maximum Concentration Value (MCV)

