



N Female to 4.3-10 Male Low-PIM Adapter

Product Classification

Product Type Adapter

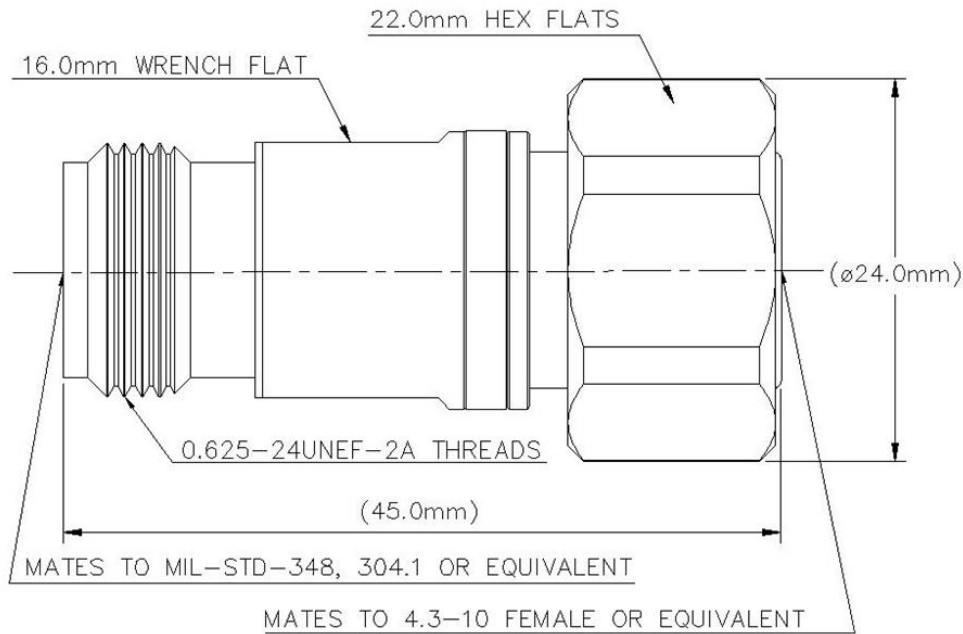
General Specifications

Interface N Female
Interface 2 4.3-10 Male
Body Style Straight
Mounting Angle Straight

Electrical Specifications

Connector Impedance 50 ohm
Operating Frequency Band 0 – 6000 MHz
3rd Order IMD, typical -163 dBm @ 1800 MHz
3rd Order IMD Test Method Two +43 dBm carriers
dc Test Voltage 2500 V
Outer Contact Resistance, maximum 1.00 mOhm
Inner Contact Resistance, maximum 1.00 mOhm
Insulation Resistance, minimum 5000 MOhm

Outline Drawing



Mechanical Specifications

Coupling Nut Proof Torque	8.00 N-m 5.90 ft lb
Coupling Nut Retention Force	450.00 N 101.16 lbf
Inner Contact Plating	Silver
Interface Durability	100 cycles
Outer Contact Plating	Trimetal

Dimensions

Diameter	24.00 mm 0.94 in
Length	45.00 mm 1.77 in
Weight	65.84 g 0.15 lb

Environmental Specifications

Operating Temperature	-55 °C to +85 °C (-67 °F to +185 °F)
Storage Temperature	-65 °C to +125 °C (-85 °F to +257 °F)

TA-NFHM

Mechanical Shock Test Method	IEC 60068-2-27
Climatic Sequence Test Method	IEC 60068-1
Damp Heat Steady State Test Method	IEC 60068-2-3
Thermal Shock Test Method	IEC 60068-2-14
Vibration Test Method	IEC 60068-2-6
Corrosion Test Method	IEC 60068-2-11

Standard Conditions

Attenuation, Ambient Temperature	20 °C 68 °F
Average Power, Ambient Temperature	40 °C 104 °F
Average Power, Inner Conductor Temperature	100 °C 212 °F

Return Loss/VSWR

Frequency Band	VSWR	Return Loss (dB)
0–3000 MHz	1.04	34.00
3000–6000 MHz	1.11	26.00

Regulatory Compliance/Certifications

Agency

RoHS 2011/65/EU
ISO 9001:2015
China RoHS SJ/T 11364-2014

Classification

Compliant by Exemption
Designed, manufactured and/or distributed under this quality management system
Above Maximum Concentration Value (MCV)

