

TA-NMHF



N Male to 4.3-10 Female Low-PIM Adapter

Product Classification

Product Type Adapter

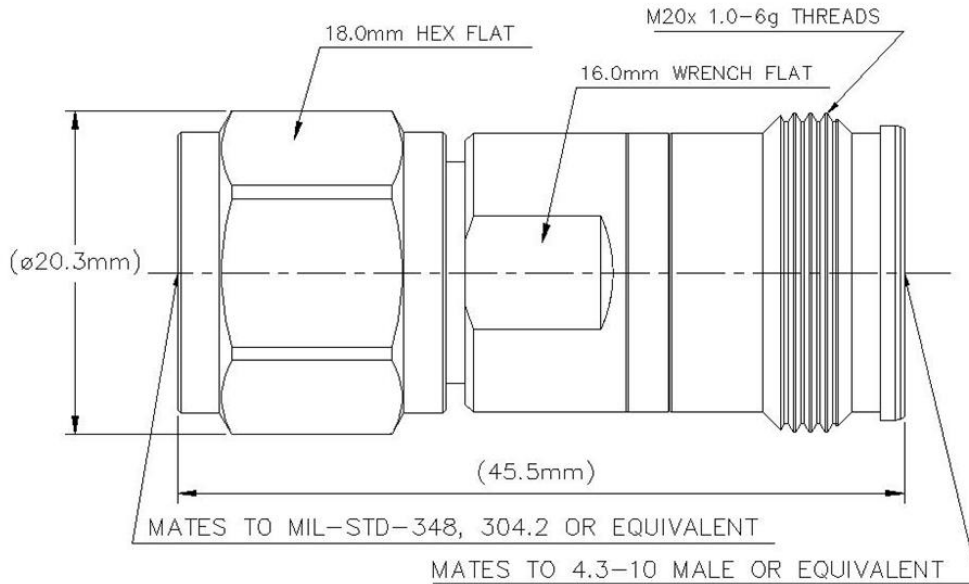
General Specifications

Interface N Male
Interface 2 4.3-10 Female
Body Style Straight
Mounting Angle Straight

Electrical Specifications

Connector Impedance 50 ohm
Operating Frequency Band 0 – 6000 MHz
3rd Order IMD, typical -163 -dBc @ 1800 MHz
3rd Order IMD Test Method Two +43 dBm carriers
dc Test Voltage 2500 V
Outer Contact Resistance, maximum 1.00 mOhm
Inner Contact Resistance, maximum 1.00 mOhm
Insulation Resistance, minimum 5000 MOhm

Outline Drawing



Mechanical Specifications

Coupling Nut Proof Torque	1.70 N-m 1.25 ft lb
Coupling Nut Retention Force	450.00 N 101.16 lbf
Inner Contact Plating	Silver
Interface Durability	100 cycles
Outer Contact Plating	Trimetal

Dimensions

Diameter	20.25 mm 0.80 in
Length	45.49 mm 1.79 in
Weight	57.42 g 0.13 lb

Environmental Specifications

Operating Temperature	-55 °C to +85 °C (-67 °F to +185 °F)
Storage Temperature	-65 °C to +125 °C (-85 °F to +257 °F)

TA-NMHF

Mechanical Shock Test Method	IEC 60068-2-27
Climatic Sequence Test Method	IEC 60068-1
Damp Heat Steady State Test Method	IEC 60068-2-3
Thermal Shock Test Method	IEC 60068-2-14
Vibration Test Method	IEC 60068-2-6
Corrosion Test Method	IEC 60068-2-11

Standard Conditions

Attenuation, Ambient Temperature	20 °C 68 °F
Average Power, Ambient Temperature	40 °C 104 °F
Average Power, Inner Conductor Temperature	100 °C 212 °F

Return Loss/VSWR

Frequency Band	VSWR	Return Loss (dB)
0–3000 MHz	1.03	36.00
3000–6000 MHz	1.08	28.00

Regulatory Compliance/Certifications

Agency

RoHS 2011/65/EU

ISO 9001:2015

China RoHS SJ/T 11364-2014

Classification

Compliant by Exemption

Designed, manufactured and/or distributed under this quality management system

Above Maximum Concentration Value (MCV)

