

R7PHF



Type 4.3-10 Female Low PIM for 1-5/8 in RCT RADIAX® Radiating cable

Product Classification

Brand	RADIAX®
Product Type	Wireless and radiating connector

General Specifications

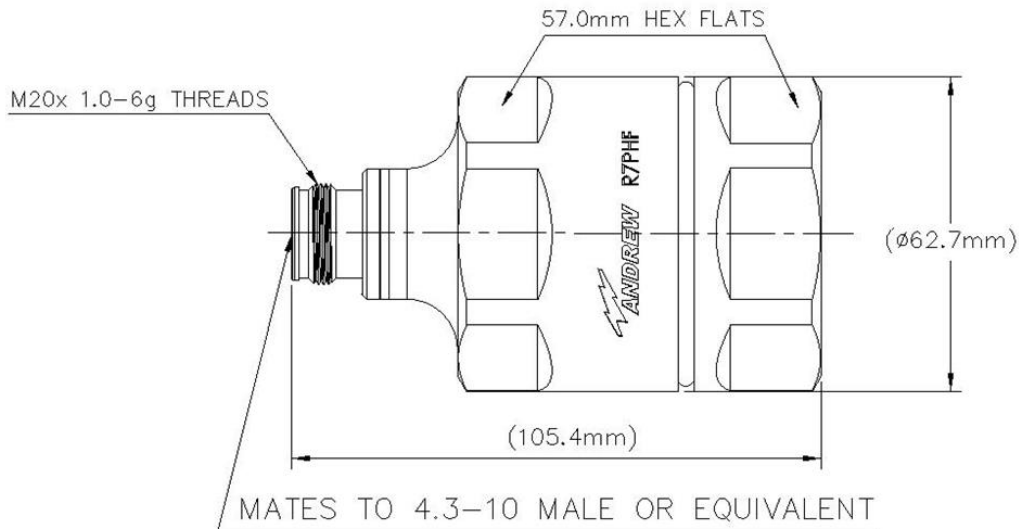
Interface	4.3-10 Female
Body Style	Straight
Mounting Angle	Straight

Electrical Specifications

Connector Impedance	50 ohm
Operating Frequency Band	0 – 2700 MHz
Average Power at Frequency	0.5 kW @ 2,000 MHz
Cable Impedance	50 ohm
3rd Order IMD, typical	-155 -dBc @ 1800 MHz -155 -dBc @ 700 MHz
3rd Order IMD Test Method	Two +43 dBm carriers
RF Operating Voltage, maximum (vrms)	884.00 V
dc Test Voltage	2500 V
Outer Contact Resistance, maximum	1.00 mOhm
Inner Contact Resistance, maximum	1.00 mOhm
Insulation Resistance, minimum	5000 MOhm
Peak Power, maximum	15.00 kW
Insertion Loss, typical	0.05 dB

R7PHF

Outline Drawing



Mechanical Specifications

Outer Contact Attachment Method	Clamp
Inner Contact Attachment Method	Thread-in stub
Outer Contact Plating	Trimetal
Inner Contact Plating	Silver
Attachment Durability	25 cycles
Interface Durability	100 cycles
Connector Retention Tensile Force	890 N 200 lbf
Connector Retention Torque	4.52 N-m 3.33 ft lb

Dimensions

Nominal Size	1-5/8 in
Diameter	62.65 mm 2.47 in
Length	105.39 mm 4.15 in
Weight	832.92 g 1.84 lb

R7PHF

Environmental Specifications

Operating Temperature	-55 °C to +85 °C (-67 °F to +185 °F)
Storage Temperature	-55 °C to +85 °C (-67 °F to +185 °F)
Moisture Resistance Test Method	IEC 60068-2-3
Mechanical Shock Test Method	IEC 60068-2-27
Thermal Shock Test Method	IEC 60068-2-14
Vibration Test Method	IEC 60068-2-6
Corrosion Test Method	IEC 60068-2-11

Standard Conditions

Attenuation, Ambient Temperature	20 °C 68 °F
Average Power, Ambient Temperature	40 °C 104 °F

Return Loss/VSWR

Frequency Band	VSWR	Return Loss (dB)
50–1000 MHz	1.04	34.50
1010–2200 MHz	1.05	31.70
2200–2700 MHz	1.05	31.70

Regulatory Compliance/Certifications

Agency	Classification
RoHS 2011/65/EU	Compliant by Exemption
ISO 9001:2015	Designed, manufactured and/or distributed under this quality management system
China RoHS SJ/T 11364-2014	Above Maximum Concentration Value (MCV)



* Footnotes

Insertion Loss, typical 0.05√freq (GHz) (not applicable for elliptical waveguide)