

A5NM-S



N Male for 7/8 in AVA5-50 and AVA5-50FX cable

Product Classification

Product Type Wireless and radiating connector

General Specifications

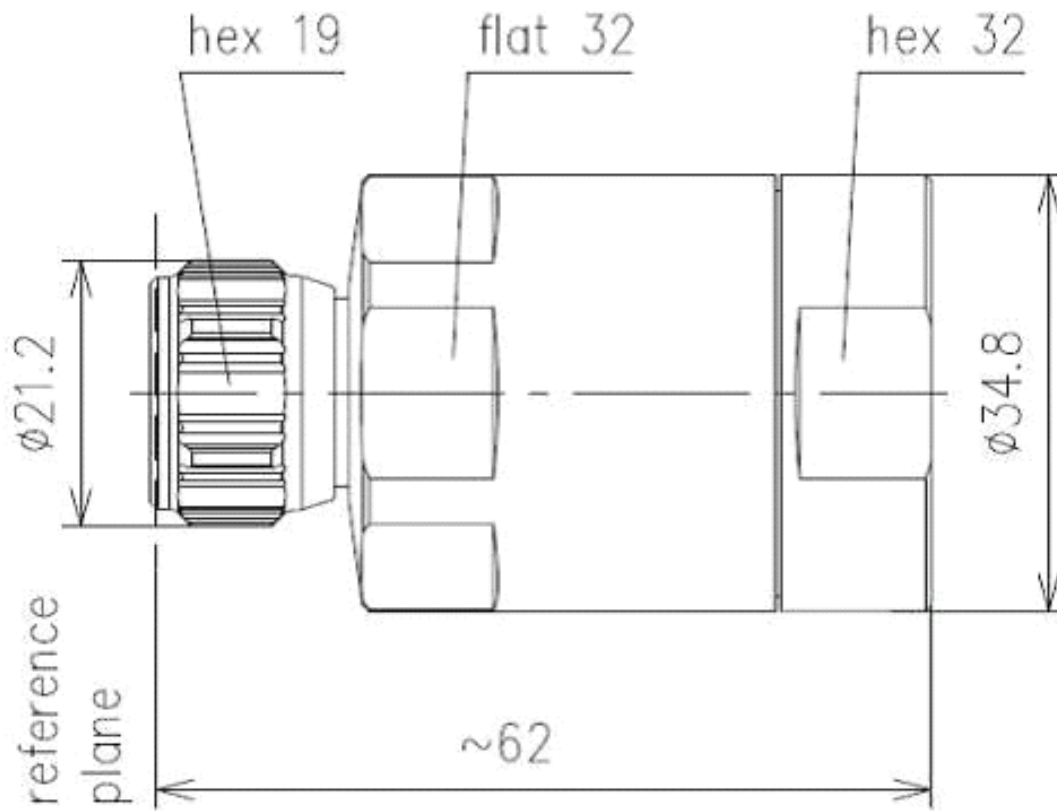
Interface N Male
Body Style Straight
Mounting Angle Straight
Ordering Note CommScope® standard product (Global)

Electrical Specifications

Connector Impedance 50 ohm
Operating Frequency Band 0 – 3700 MHz
Cable Impedance 50 ohm
3rd Order IMD, typical -117 dBm @ 1800 MHz
3rd Order IMD Test Method Two +43 dBm carriers
RF Operating Voltage, maximum (vrms) 1415.00 V
dc Test Voltage 4000 V
Outer Contact Resistance, maximum 1.50 mOhm
Inner Contact Resistance, maximum 0.40 mOhm
Insulation Resistance, minimum 5000 MOhm
Average Power 3.0 kW @ 900 MHz
Peak Power, maximum 40.00 kW
Insertion Loss, typical 0.05 dB
Shielding Effectiveness -130 dB

A5NM-S

Outline Drawing



Mechanical Specifications

Inner Contact Attachment Method	Captivated
Outer Contact Plating	Trimetal
Inner Contact Plating	Silver
Attachment Durability	25 cycles
Interface Durability	50 cycles
Interface Durability Method	IEC 61169-4:9.5
Connector Retention Tensile Force	1334 N 300 lbf
Connector Retention Torque	8.13 N-m 72.00 in lb
Insertion Force	200.17 N 45.00 lbf
Insertion Force Method	IEC 61169-1:15.2.4
Pressurizable	No

Dimensions

Nominal Size	7/8 in
Diameter	34.80 mm 1.37 in

A5NM-S

Length	54.92 mm 2.16 in
Weight	153.00 g 0.34 lb

Environmental Specifications

Operating Temperature	-40 °C to +85 °C (-40 °F to +185 °F)
Storage Temperature	-55 °C to +85 °C (-67 °F to +185 °F)
Immersion Depth	1 m
Immersion Test Mating	Mated
Immersion Test Method	IEC 60529:2001, IP68
Water Jetting Test Mating	Mated
Water Jetting Test Method	IEC 60529:2001, IP66
Moisture Resistance Test Method	MIL-STD-202F, Method 106F
Mechanical Shock Test Method	IEC 60068-2-27
Thermal Shock Test Method	MIL-STD-202, Method 107, Test Condition A-1, -55 °C to +85 °C
Vibration Test Method	IEC 60068-2-6
Corrosion Test Method	IEC 60068-2-11

Standard Conditions

Attenuation, Ambient Temperature	20 °C 68 °F
Average Power, Ambient Temperature	40 °C 104 °F

Return Loss/VSWR

Frequency Band	VSWR	Return Loss (dB)
0–1000 MHz	1.02	40.00
1000–2700 MHz	1.05	32.00
2700–3800 MHz	1.11	26.00

Regulatory Compliance/Certifications

Agency	Classification
RoHS 2011/65/EU	Compliant by Exemption
ISO 9001:2015	Designed, manufactured and/or distributed under this quality management system
China RoHS SJ/T 11364-2014	Above Maximum Concentration Value (MCV)



* Footnotes

Immersion Depth	Immersion at specified depth for 24 hours
------------------------	---

A5NM-S

Insertion Loss, typical 0.05v*freq (GHz) (not applicable for elliptical waveguide)