

# SMALL-M-CAPKIT

---

Male End Cap for 4.3-10 series.

## Product Classification

**Brand**

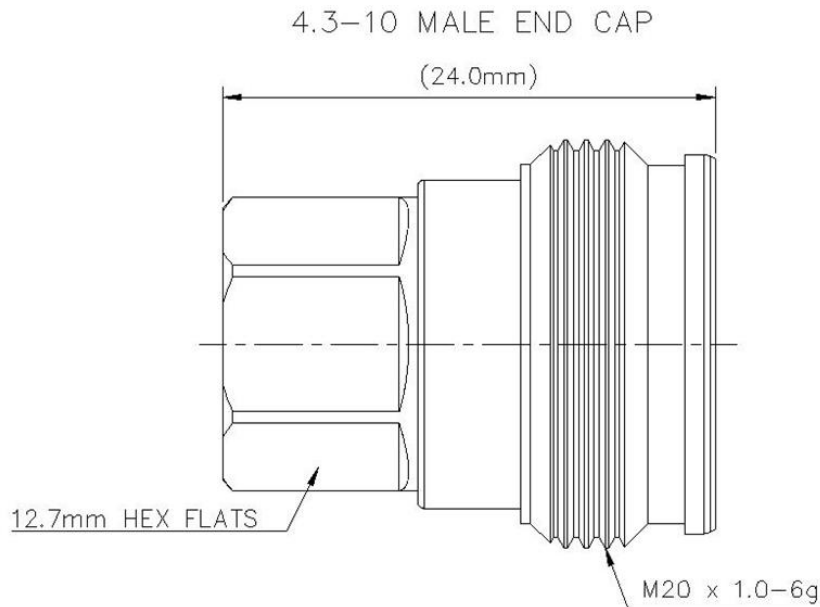
HELIAX®

**Product Type**

Wireless and radiating connector

# SMALL-M-CAPKIT

## Outline Drawing



## Mechanical Specifications

**Coupling Nut Proof Torque** 8.00 N-m | 5.90 ft lb

## Dimensions

**Diameter** 19.88 mm | 0.78 in

**Length** 24.00 mm | 0.94 in

**Weight** 26.70 g | 0.06 lb

## Environmental Specifications

**Operating Temperature** -55 °C to +85 °C (-67 °F to +185 °F)

**Storage Temperature** -65 °C to +125 °C (-85 °F to +257 °F)

**Immersion Depth** 1 m

**Immersion Test Mating** Mated

**Immersion Test Method** IEC 60529:2001, IP68

**Moisture Resistance Test Method** IEC 60068-2-3

# SMALL-M-CAPKIT

---

<b>Mechanical Shock Test Method</b>	IEC 60068-2-27
<b>Thermal Shock Test Method</b>	IEC 60068-2-14
<b>Vibration Test Method</b>	IEC 60068-2-6
<b>Corrosion Test Method</b>	IEC 60068-2-11

## Standard Conditions

<b>Attenuation, Ambient Temperature</b>	20 °C   68 °F
<b>Average Power, Ambient Temperature</b>	40 °C   104 °F
<b>Average Power, Inner Conductor Temperature</b>	100 °C   212 °F

## Regulatory Compliance/Certifications

### Agency

RoHS 2011/65/EU  
ISO 9001:2015  
China RoHS SJ/T 11364-2014

### Classification

Compliant by Exemption  
Designed, manufactured and/or distributed under this quality management system  
Above Maximum Concentration Value (MCV)



## \* Footnotes

**Immersion Depth**      Immersion at specified depth for 24 hours