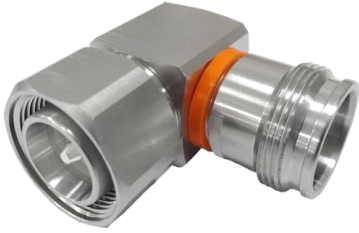


TA-HFHR



4.3-10 Male to 4.3-10 Female Right Angle Adapter

Product Classification

Product Type Adapter

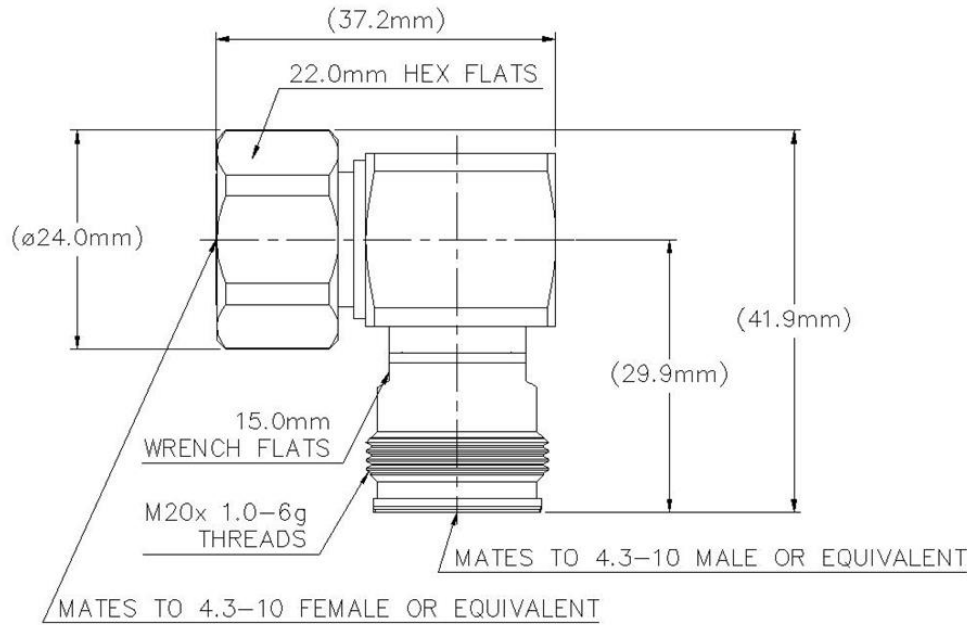
General Specifications

Interface 4.3-10 Male
Interface 2 4.3-10 Female
Body Style Right angle
Mounting Angle Right angle

Electrical Specifications

Connector Impedance 50 ohm
Operating Frequency Band 0 – 6000 MHz
Average Power at Frequency 600.0 W @ 900 MHz
3rd Order IMD, typical -123 dBm @ 1900 MHz
3rd Order IMD Test Method Two +43 dBm carriers
dc Test Voltage 2500 V
Outer Contact Resistance, maximum 1.50 mOhm
Inner Contact Resistance, maximum 0.80 mOhm
Insulation Resistance, minimum 5000 MOhm
Peak Power, maximum 15.00 kW

Outline Drawing



Mechanical Specifications

Coupling Nut Proof Torque	10.00 N-m 7.38 ft lb
Coupling Nut Retention Force	449.27 N 101.00 lbf
Inner Contact Plating	Silver
Interface Durability	100 cycles
Interface Durability Method	IEC 61169-4:9.5
Outer Contact Plating	Trimetal
Pressurizable	No

Dimensions

Diameter	24.00 mm 0.94 in
Length	41.84 mm 1.65 in
Weight	90.38 g 0.20 lb
Width	37.14 mm 1.46 in

Environmental Specifications

Operating Temperature	-55 °C to +85 °C (-67 °F to +185 °F)
Storage Temperature	-65 °C to +125 °C (-85 °F to +257 °F)

TA-HFHR

Immersion Depth	1 m
Immersion Test Mating	Mated
Immersion Test Method	IEC 60529:2001, IP68
Mechanical Shock Test Method	IEC 60068-2-27
Climatic Sequence Test Method	IEC 60068-1
Damp Heat Steady State Test Method	IEC 60068-2-3
Thermal Shock Test Method	IEC 60068-2-14
Vibration Test Method	IEC 60068-2-6
Corrosion Test Method	IEC 60068-2-11

Standard Conditions

Attenuation, Ambient Temperature	20 °C 68 °F
Average Power, Ambient Temperature	40 °C 104 °F
Average Power, Inner Conductor Temperature	100 °C 212 °F

Return Loss/VSWR

Frequency Band	VSWR	Return Loss (dB)
0–3000 MHz	1.07	30.00
3000–6000 MHz	1.15	23.00

Regulatory Compliance/Certifications

Agency

RoHS 2011/65/EU
ISO 9001:2015
China RoHS SJ/T 11364-2014

Classification

Compliant by Exemption
Designed, manufactured and/or distributed under this quality management system
Above Maximum Concentration Value (MCV)



* Footnotes

Immersion Depth Immersion at specified depth for 24 hours