

QMA Bulkhead Female for 0.085 in CF085-50 cable

Product Classification

Product Type Wireless and radiating connector

General Specifications

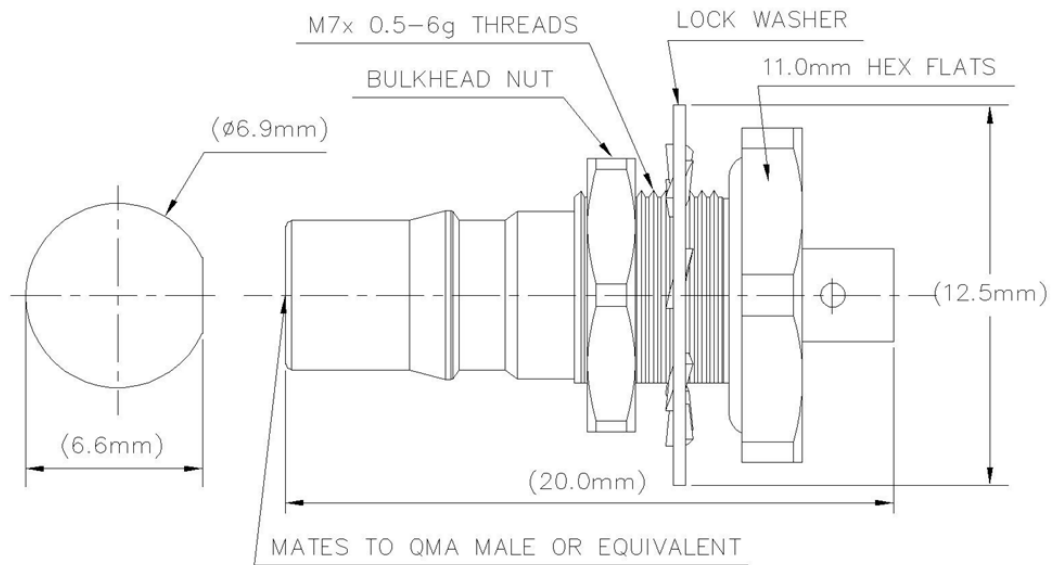
Interface QMA Female

Body Style Bulkhead

Electrical Specifications

| | |
|---|----------------------|
| Connector Impedance | 50 ohm |
| Operating Frequency Band | 0 – 6000 MHz |
| Cable Impedance | 50 ohm |
| 3rd Order IMD, typical | -110 dBc @ 1800 MHz |
| 3rd Order IMD Test Method | Two +43 dBm carriers |
| RF Operating Voltage, maximum (vrms) | 500.00 V |
| dc Test Voltage | 1000 V |
| Outer Contact Resistance, maximum | 2.50 mOhm |
| Inner Contact Resistance, maximum | 3.00 mOhm |
| Insulation Resistance, minimum | 5000 MOhm |
| Peak Power, maximum | 0.21 kW |

Outline Drawing



Mechanical Specifications

| | |
|--|------------------|
| Outer Contact Attachment Method | Solder |
| Inner Contact Attachment Method | Solder |
| Outer Contact Plating | Trimetal |
| Inner Contact Plating | Gold |
| Interface Durability | 100 cycles |
| Interface Durability Method | IEC 61169-15:9.5 |

Dimensions

| | |
|-----------------|--------------------|
| Diameter | 12.00 mm 0.47 in |
| Length | 20.00 mm 0.79 in |
| Weight | 4.07 g 0.01 lb |
| Width | 12.00 mm 0.47 in |

Environmental Specifications

| | |
|--|---------------------------------------|
| Operating Temperature | -55 °C to +85 °C (-67 °F to +185 °F) |
| Storage Temperature | -65 °C to +125 °C (-85 °F to +257 °F) |
| Moisture Resistance Test Method | IEC 60068-2-3 |
| Mechanical Shock Test Method | IEC 60068-2-27 |
| Thermal Shock Test Method | IEC 60068-2-14 |
| Vibration Test Method | IEC 60068-2-6 |
| Corrosion Test Method | IEC 60068-2-11 |

Standard Conditions

| | |
|---|-----------------|
| Attenuation, Ambient Temperature | 20 °C 68 °F |
| Average Power, Ambient Temperature | 40 °C 104 °F |
| Average Power, Inner Conductor Temperature | 100 °C 212 °F |

Return Loss/VSWR

| Frequency Band | VSWR | Return Loss (dB) |
|----------------|------|------------------|
| 0–3000 MHz | 1.07 | 30.00 |
| 3000–6000 MHz | 1.15 | 23.00 |

Regulatory Compliance/Certifications

| Agency | Classification |
|----------------------------|--|
| RoHS 2011/65/EU | Compliant by Exemption |
| ISO 9001:2015 | Designed, manufactured and/or distributed under this quality management system |
| China RoHS SJ/T 11364-2014 | Above Maximum Concentration Value (MCV) |

