

BNC Male for CNT-195 braided cable



Product Classification

Brand	CNT®
Product Type	Braided cable connector

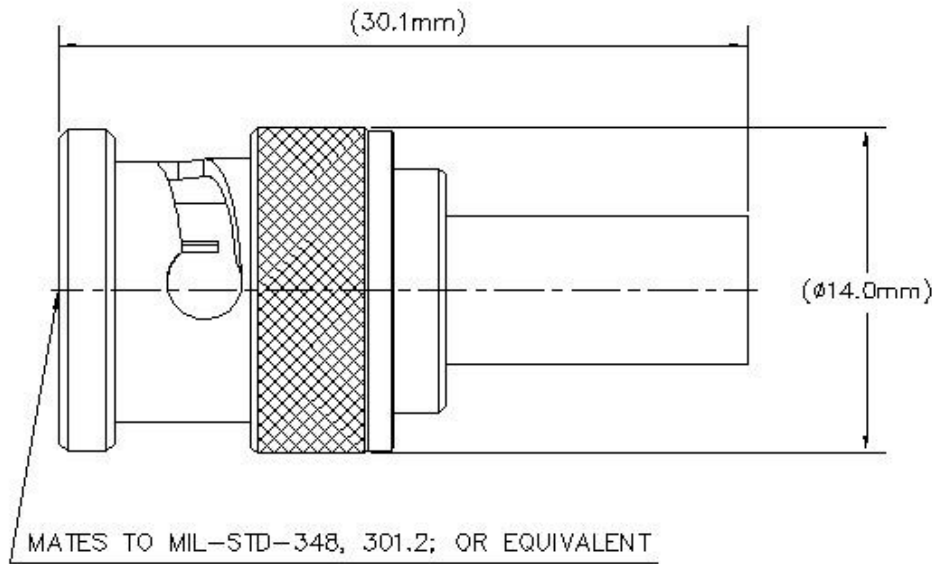
General Specifications

Interface	BNC Male
Body Style	Straight

Electrical Specifications

Operating Frequency Band	0 – 6000 MHz
Cable Impedance	50 ohm
Connector Impedance	50 ohm
RF Operating Voltage, maximum (vrms)	353.00 V
dc Test Voltage	1000 V
Outer Contact Resistance, maximum	1.00 mOhm
Inner Contact Resistance, maximum	2.50 mOhm
Insulation Resistance, minimum	5000 MOhm
Average Power	150.0 W @ 900 MHz
Peak Power, maximum	2.50 kW
Insertion Loss, typical	0.05 dB

Outline Drawing



Mechanical Specifications

Outer Contact Attachment Method	Crimp
Outer Contact Plating	Trimetal
Inner Contact Plating	Gold
Inner Contact Attachment Method	Solder
Interface Durability	500 cycles
Interface Durability Method	IEC 61169-8:9.5
Connector Retention Tensile Force	134 N 30 lbf
Connector Retention Torque	0.17 N-m 0.13 ft lb
Insertion Force	15.00 N 3.37 lbf
Insertion Force Method	IEC 61169-8:9.3.5
Pressurizable	No

Dimensions

Nominal Size	0.195 in
Diameter	14.00 mm 0.55 in
Length	30.06 mm 1.18 in
Weight	31.00 g 0.07 lb
Width	14.00 mm 0.55 in

Environmental Specifications

Operating Temperature	-40 °C to +85 °C (-40 °F to +185 °F)
Storage Temperature	-65 °C to +125 °C (-85 °F to +257 °F)
Water Jetting Test Mating	Mated
Water Jetting Test Method	IEC 60529:2001, IP65
Mechanical Shock Test Method	IEC 60068-2-27
Climatic Sequence Test Method	IEC 60068-1
Damp Heat Steady State Test Method	IEC 60068-2-3
Thermal Shock Test Method	IEC 60068-2-14
Vibration Test Method	IEC 60068-2-6
Corrosion Test Method	IEC 60068-2-11

Standard Conditions

Attenuation, Ambient Temperature	20 °C 68 °F
Average Power, Ambient Temperature	40 °C 104 °F
Average Power, Inner Conductor Temperature	100 °C 212 °F

Return Loss/VSWR

Frequency Band	VSWR	Return Loss (dB)
0–3000 MHz	1.07	30.00
3000–6000 MHz	1.22	20.10

Regulatory Compliance/Certifications

Agency	Classification
RoHS 2011/65/EU	Compliant by Exemption
ISO 9001:2015	Designed, manufactured and/or distributed under this quality management system
China RoHS SJ/T 11364-2014	Above Maximum Concentration Value (MCV)



* Footnotes

Insertion Loss, typical 0.05√freq (GHz) (not applicable for elliptical waveguide)