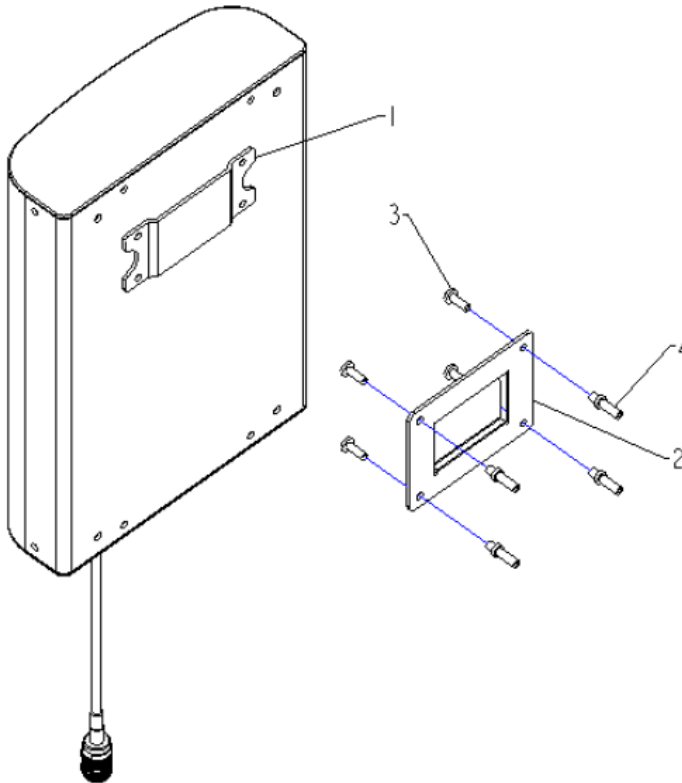


INSTALLATION INSTRUCTION FOR CMAx-D-43-V53, CMAx-D-CPUSEI53, CMAx-D-CPUSEV53



Installation Steps

- 1) Drill four holes in the wall per pattern of holes in the plate (item 2) shown above.
- 2) Fasten the flat side of the plate (item 2) to the wall using wall anchors (item 4) and screws (item 3).
- 3) Mount the antenna (item 1) to the plate (item 2).
- 4) Connect the RF cable.

© Copyright 2016 CommScope, Inc.

All rights reserved.

All information contained in this manual has been revised thoroughly. Yet CommScope accepts no liability for any omissions or faults.

CommScope reserves the right to change all hardware and software characteristics without notice.

Names of products mentioned herein are used for identification purposes only and may be trademarks and / or registered trademarks of their respective companies.

No parts of this publication may be reproduced, stored in a retrieval system, transmitted in any form or by any means, electrical, mechanical photocopying, recording or otherwise, without prior written permission of the publisher.

CommScope, 29-March-2016